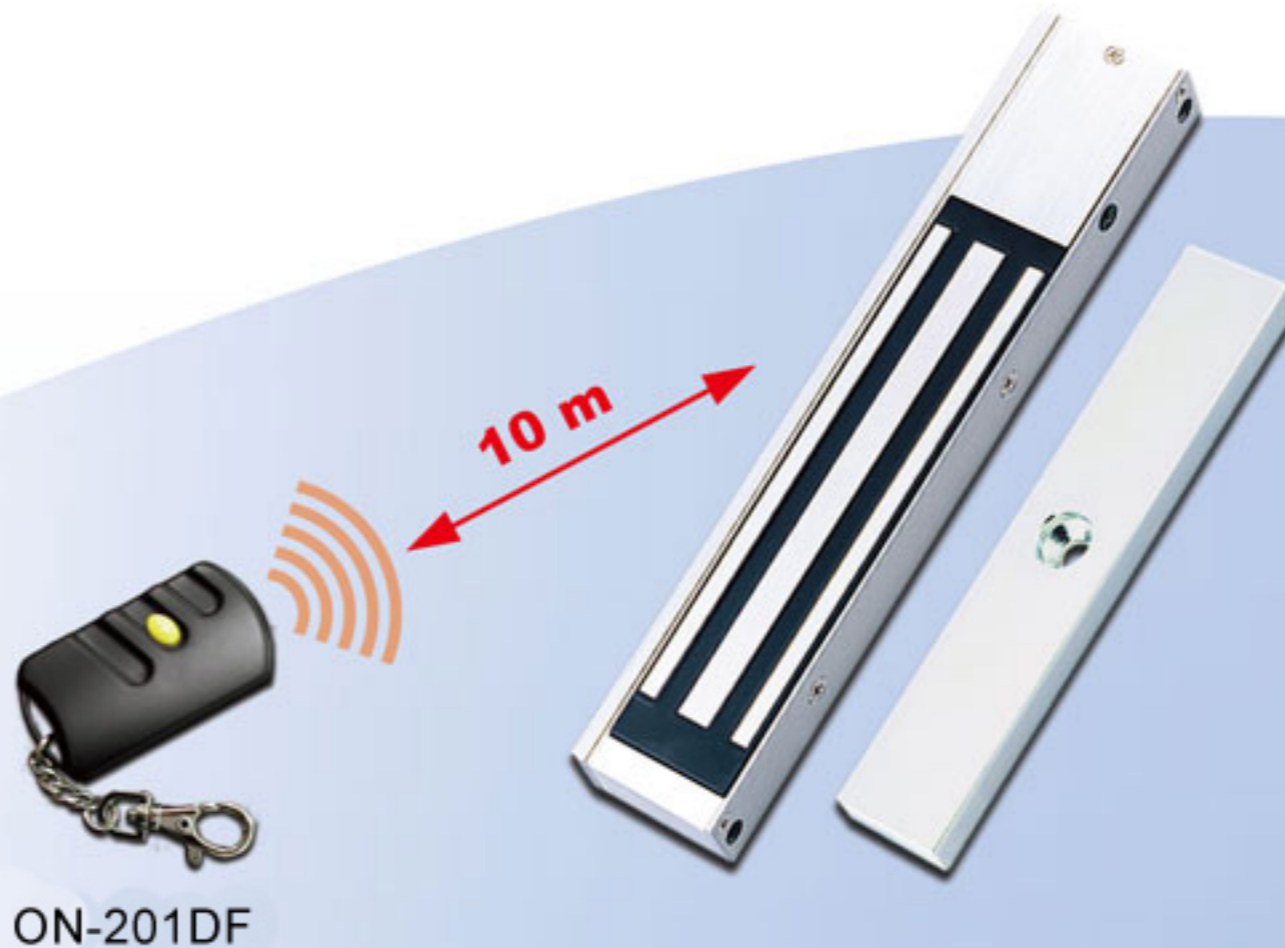




# Wireless Smart Electromagnetic Lock

**ON-1101R**



ON-201DF

## Features

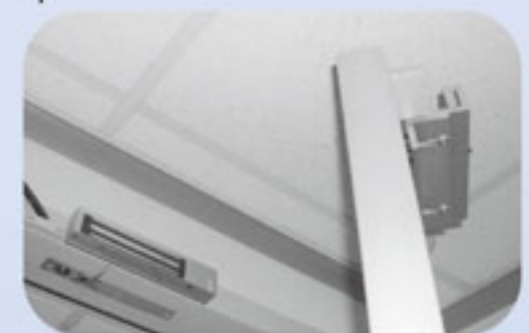
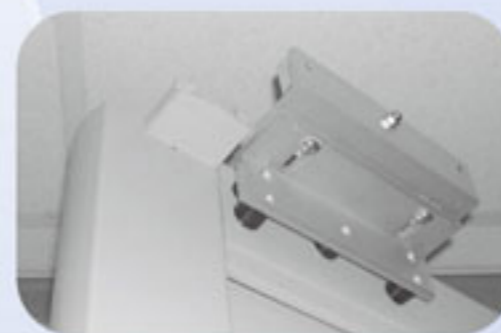
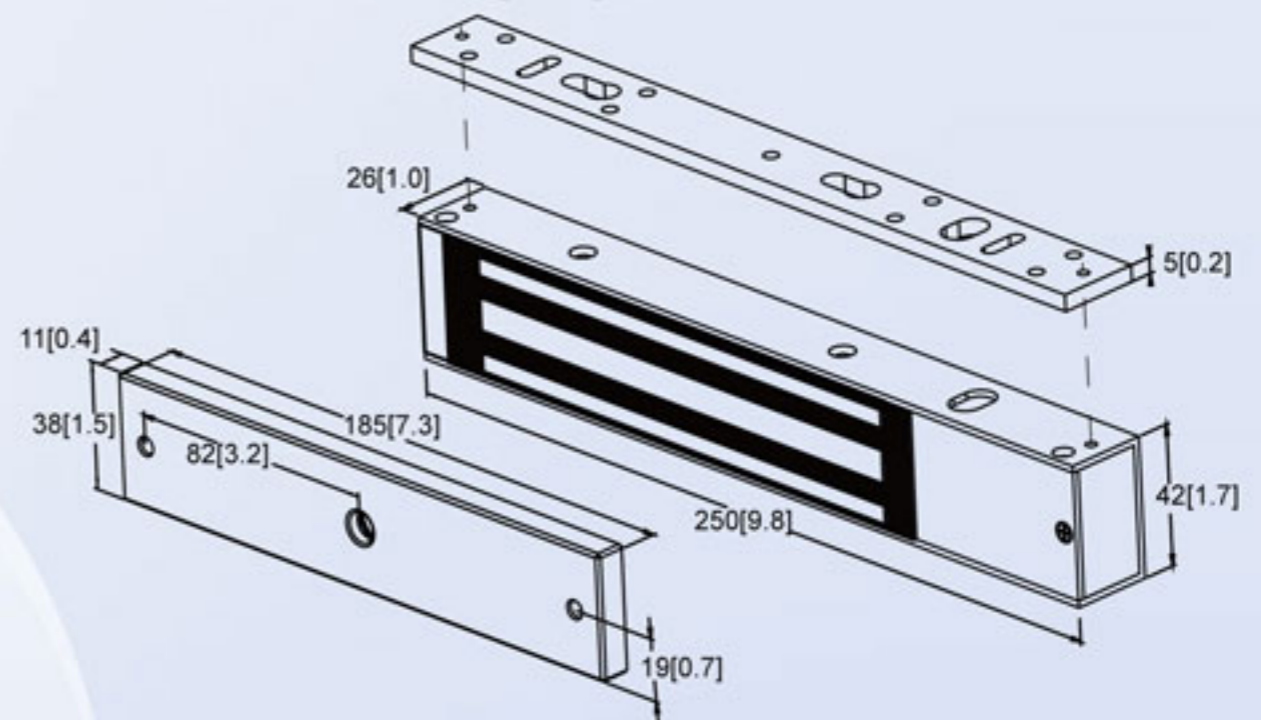
- Remote release control ranges up to **10** meters.
- With learning mode button for memory up to **40** pieces transmitter ID's.
- Compact structure without additional remote device wiring.

## Specification

Holding force : 550 Lbs/250Kgs  
 Voltage(DC)/Current : 12V/500mA / 24V/250mA  
 Door monitoring : YES  
 Timer (LED) : YES  
 Relay dry contact rating : 500mA 24VDC/AC  
 Waterproof : NO  
 Unit weight (Approx.) : 2kgs±1%

\* Voltage tolerance – 5%~+ 10%

## Dimensions: mm[inch]



## Accessories

Model No.	L type fixed bracket ON-BLO110A	L & Z fixed bracket ON-BLZ110A	Magnetic lump bracket ON-EM250	U type bracket ON-BUO110
Appearance				
Dimensions (mm)	250(L) x 33(W) x 51(H)	190(L) x 50(W1) x 50(W2) x 50(H)	190(L) x 16(W) x 44(H)	190(L) x 30(W) x 45(H)
Applications	For aluminum steel or wooden door, brass door, glass door with frame			Glass door without frame Glass thickness: Max.13mm