



ON-L600

Fingerprint password lock



- Anti-Panic exit function
- Auto locking mode and passage mode
- Multi-level user entry
- Low voltage warning
- Applicable with standard mortise 5050
- Suitable for Residence, Commercial office, School, Government, Hospital, Bank



Fingerprint
Unlock



Multi
Verification



Password
Unlock



Key
Unlock

Specification

Total user

230 (fingerprint +code user altogether)

Unlock mode

Fingerprint, Password, Password + Fingerprint

Lock material

Zinc Alloy with Chrome plating or PVD plating

Method of fingerprint

Semiconductor

Keypad

Finger Touch

Sensor speed

1 Second

FAR

<0.001%

FRR

<0.1%

Password combination

3 to 12 digits combination

Mechanical key override

Yes

Power supply

4 standard AAA alkaline batteries

Power lifetime

18months in normal state

Indication

Light,Sound(Mute,BEEP,or music optional)

Deadbolt indication

Yes

Low voltage warning

Yes

Static consumption

12uA

Dynamic consumption

300mA

Operation humidity

20%-80%

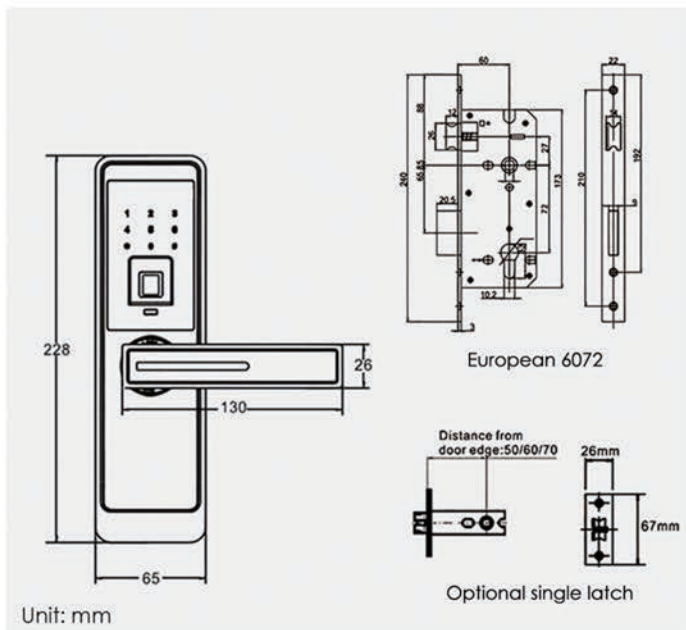
Working temperature

-10°C-60°C

Package

25.5X18.2X11.5cm 2.5Kg

Lock Size



Package List

