



# ON-L880

## Fingerprint password lock



With classic and elegant design, electroplating and polishing finish, one finger touch to unlock and multiple bolts, ON-L880 brings us a new safe lock. We use latest fingerprint algorithm, with high speed CPU, identification to unlock is quite fast. Hidden finger-touch keypad is waterproof, when operation is finished, lock will automatically turn off the light of fingerprint sensor, keypad and LCD, it helps us to save power at the most. All entries' events also can be queried on time!



Fingerprint  
Unlock



Finger-Touch  
Keypad



Key Unlock



Voice Prompt



Password  
Unlock



Low-Voltage  
Alarm



Optional Card  
Unlock



Events Query

# Specification

## Material

Zinc Alloy

## Unlock Mode

Fingerprint, Password, Password + Fingerprint, mechanical key(optional remote unlocking, RFID/RFIC card unlocking)

## Speaker & Display

LCD with voice prompt

## Keypad

Finger Touch

## Fingerprint Sensor

Optics (optical capacitive)

## Fingerprint Pixel

500DPI

## Fingerprint Capacity

200 Templates

## Password capacity

10 groups

## Transaction capacity

100 events

## Verification mode

1:N

## Enrolling speed

<0.5S

## Verification speed

< 0.8S

## FAR

<0.0001%

## FRR

<0.1%

## Power Supply Voltage

4.5V-DC6V

## Power Alarming

<4.5V

## Current Consumption

Peak Current <200mA ;

Quiescent Current <40mA

## Power Supply

4 PCS 1.5V AA Alkaline Batteries

## Working Temperature

-10°C-50°C

## Operation Humidity

20%-80%

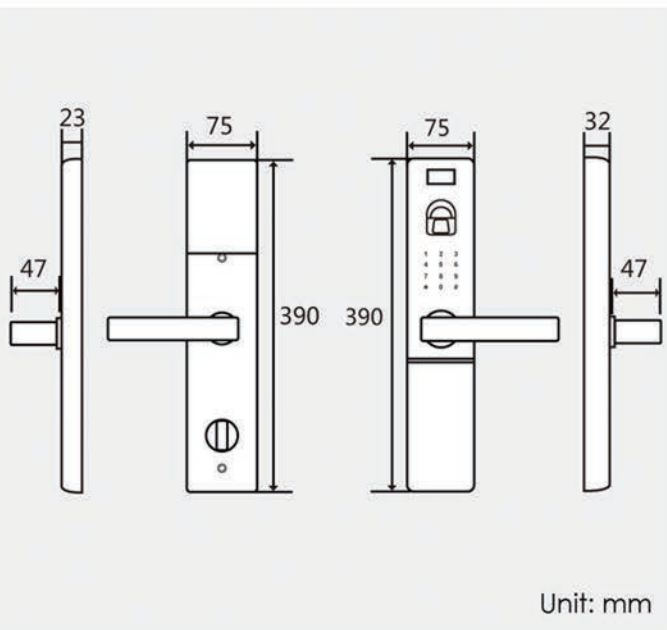
## Applicable Door Size

40-150mm (Thickness)

## Weight

5.0 KG

# Lock Size



# Package List

