

# Fingerprint Bluetooth Lock

— *easy to use and keyless to lock*

## ON-L900



- Die-cast zinc alloy body
- High quality fingerprint sensor
- Tempered glass touch screen
- Ultra thin panel and handle
- Theftproof Super B grade cylinder
- Hidden mechanical keyhole
- 304 stainless steel mortise
- Deadbolt lock switch
- Compatible with different mortise types (6068,5572,6072)



Fingerprint  
Unlock



Decoy  
Code



Key Unlock



Voice Prompt



Code  
Unlock



Low-Voltage  
Alarm



IC Card  
Unlock



Events Query



Bluetooth



USB Emergency  
Power Interface

# Specification

## Bluetooth standard

Bluetooth 4.0 BLE

## Support system

Android 4.3 / IOS 7.0 above

## Keypad

12 capacitive touchpad buttons

## Card type

IC card

## Fingerprint sensor type

Semiconductor

## Fingerprint user capacity

100pcs

## IC card user capacity

150pcs

## Code user capacity

150pcs

## Transaction capacity

No Limit (on Mobile Phone)

## Unlock time

≤1 seconds

## False accept rate

<0.001%

## False reject rate

<0.1%

## Working temperature

-40°C-70°C

## Operation humidity

20%-80%

## Power supply

4pcs AA batteries

## Power lifetime

10-16 Months

## Low power alarm

4.8V

## Applicable door size (Thickness)

50-70mm

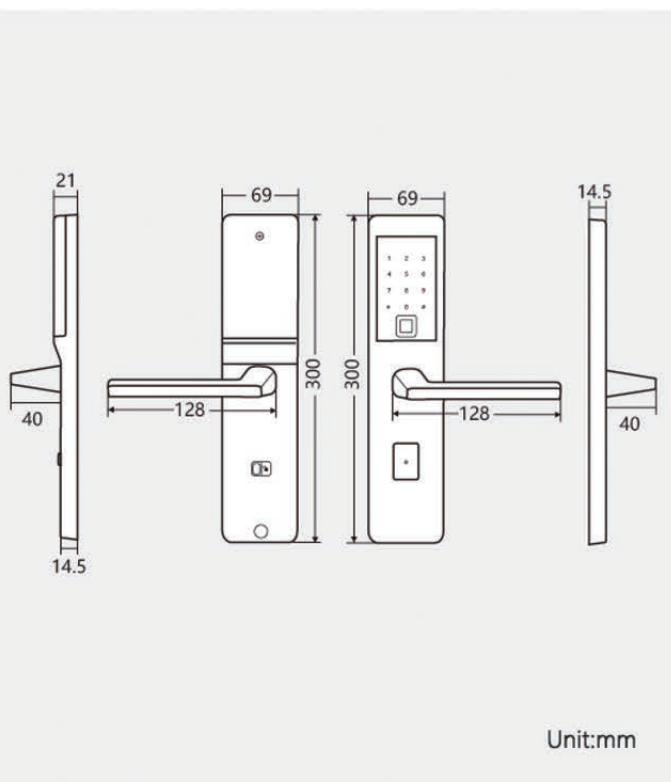
## Static current

65uA

## Working current

<200mA

# Lock Size



# Package List

