



# Multi-Biometric Door Lock

## Auto Unlock Facial and Palm Verification



### Model : ON-L960

- Infrared detection in the night
- Contactless verification to open the door
- Unlocking time's record query
- Finger-touch keypad with power saving function
- Stronger and more security than traditional lock
- Long life time for power usage



Face  
Unlock



Palm  
Unlock



Password  
Unlock



IC  
Card



Key  
Unlock



Touch  
Keypad



Voice  
Prompt

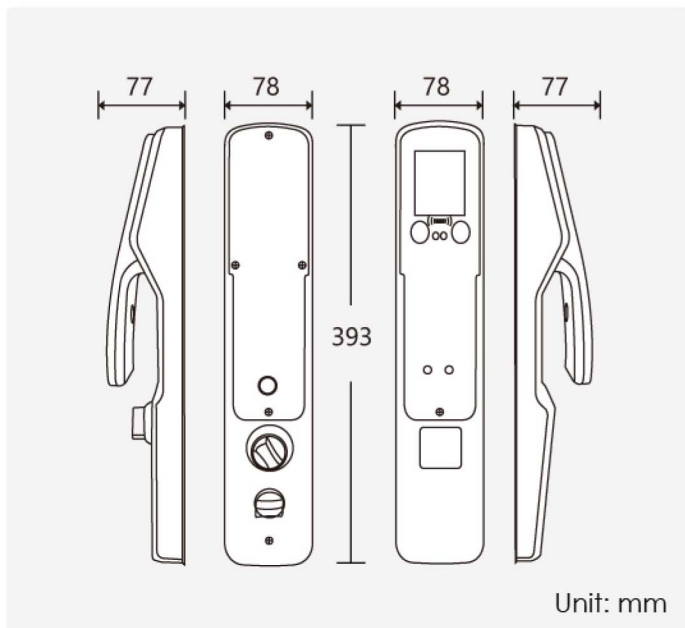


Low-Voltage  
Alarm

# Specification

<b>Lock Material</b>	Zinc Alloy	<b>FRR</b>	<0.1%
<b>Unlock Mode</b>	Face, Palm, Password, IC card, Mechanical key	<b>Power Supply Voltage</b>	7.5V-DC12V
<b>Speaker &amp; Display</b>	LCD with voice prompt	<b>LED Alarming</b>	<7.8V
<b>Keypad</b>	Finger Touch	<b>Current Consumption</b>	Peak Current<380mA Quiescent Current <25mA
<b>Face Capacity</b>	100	<b>Power Supply</b>	8 PCS 1.5V AA Alkaline Batteries
<b>Palm Capacity</b>	100	<b>Power Lifetime</b>	8-12 Months
<b>Password Capacity</b>	5	<b>Working Temperature</b>	-20°C - 60°C
<b>Card Capacity</b>	100	<b>Operation Humidity</b>	20%-80%
<b>Transaction Capacity</b>	100 events	<b>Applicable Door Size</b>	40-150mm (Thickness)
<b>Verification Mode</b>	1:N	<b>Lock Size</b>	395*78*77mm (L*W*T)
<b>Verification speed</b>	< 0.8S	<b>Weight</b>	Weight: 5.0 KG
<b>FAR</b>	<0.0001%		

## Lock Size



## Package List

