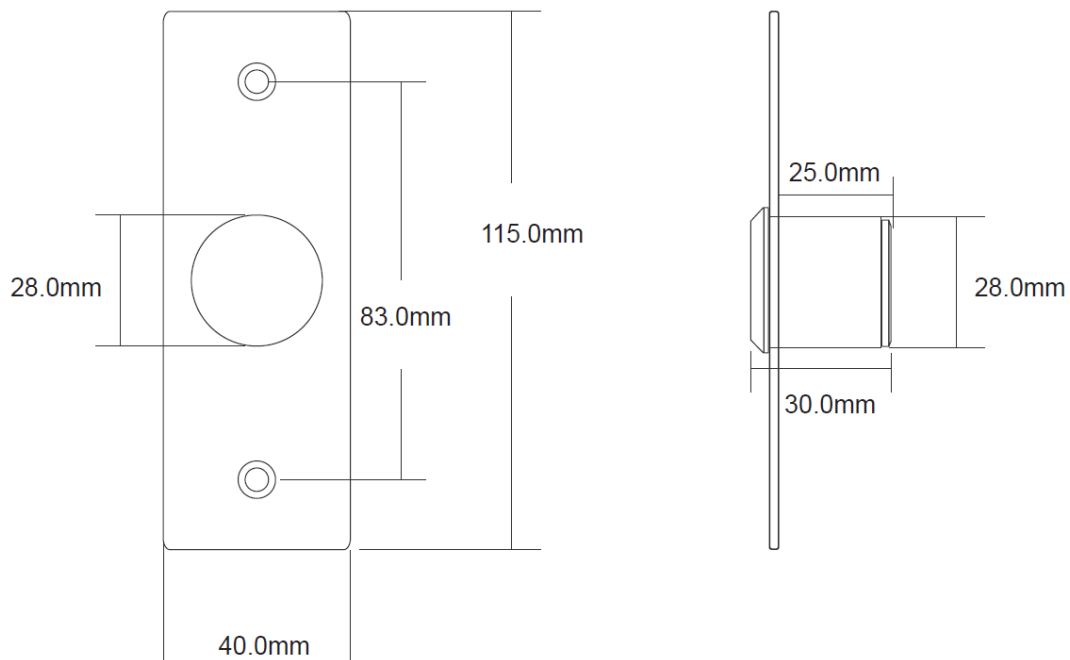




## Model : **ON-SNT840** Touchless Sensor Exit Button



### Features :

- **Dimensions:** 115L\*40W\*25H(mm)
- **Contact Rating:** 12-24V, 3A
- **Power:** 12VDC & 24VDC
- **Output Contact:** NO/NC/COM
- **Mechanical Life:** 500,000 Tested
- **Suitable for Door:** Hollow Door
- **Logo:** Customizable
- **Weight:** 0.112kg
- **Operating Temp:** -20℃ ~+55℃ (14-131F)
- **Operating Humidity:** 0-95%(relative humidity)
- **LED Indicator:** Blue LED Indicator (Standby)  
Green LED Indicator (Sensation)
- **Surface Mount:** Optional M40 or PG40 Back Box
- **Panel:** 1.7mm Thick 304 Stainless steel
- **Package Quantity:** 100pcs/12kg/51\*43\*33cm/ctn