

WR-E3/M3/H3

Passive Wiegand Reader: Proximity RFID Card



- Built-in buzzer
- Easy installation for access control
- Slim and thin appearance
- Support EM or Mifare or HID card
- Wiegand 26/ 34 selectable reader
- Compatible with any brand of controllers
- Working temperature -20°C ~ 70°C
- Blue/ Green/ Red LED indicator for door status
- Weatherproof suitable for indoor/ outdoor

Specifications

GENERAL DATA

Communication	Wiegand 26/ 34bits
Proximity	EM/ Mifare / HID(Optional)

INDICATION DATA & USER INTERFACE

LED Indicators	Blue Light: Standby
	Green Light: Pass
	Red Light: Fail
Buzzer	Single Tone

ELECTRICAL DATA & CONDITIONS

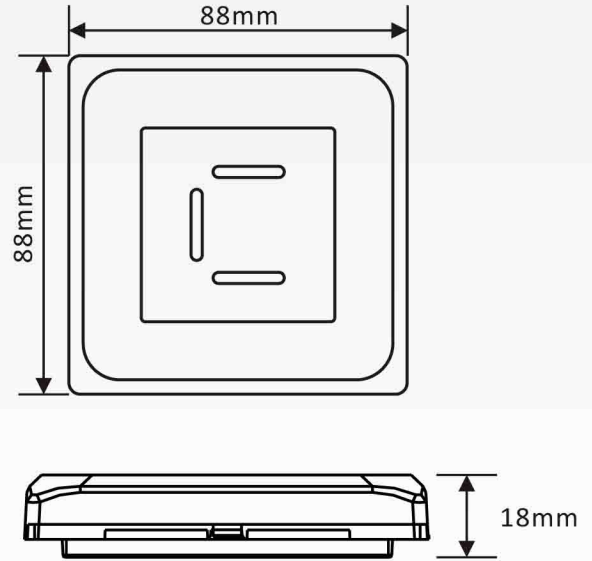
Operating Voltage	9 ~ 15VDC / 0.5A
Maximum Current	150mA
Operating Temperature	-20°C ~ 70°C
Data transmission distance	100M

PHYSICAL DATA

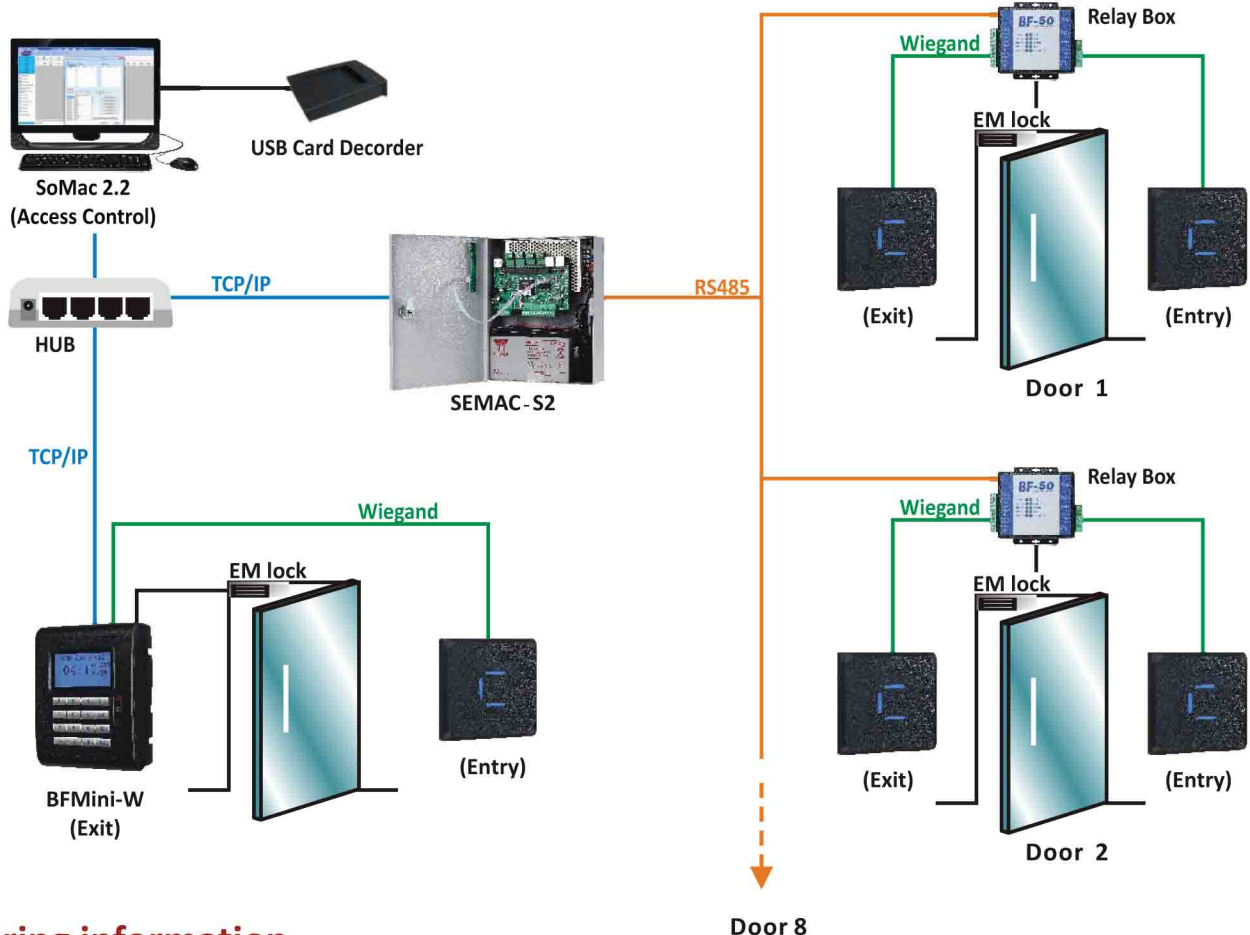
Dimensions (mm)	88 x 88 x 18 mm
Weight (g)	g

INTERNATIONAL STANDARDS & WARRANTY

CE/FCC,ROHS	
Warranty	2 Years



Structure



Ordering information

WR-E3: EM 125KHz WR-M3: Mifare 13.56MHz WR-H3: HID 125KHz