

# DSA-20PFE-12 FUS 120150 (USA) 1.5Amp

## 1. SPECIFICATION

-- 2 / 4

### 3. OUTPUT REQUIREMENT

3-1	DC OUTPUT VOLTAGE	+12 V
3-2	MINIMUM LOAD CURRENT	0 A
3-3	NOMINAL LOAD CURRENT	1.5 A
3-4	NOMINAL OUTPUT POWER	18 W
3-5	TOTAL OUTPUT REGULATION	+/-5%
3-6	LINE REGULATION	+/-2%
		At nominal input voltage and full load
3-7	RIPPLE AND NOISE	200 mVp-p
		At 20 MHz, and output parallel with 0.1uF & 10uF capacitors to ground Temperature at 25°C, and nominal input voltage
3-8	AVERAGE EFFICIENCY	80.29% minimum
		At 115/230V input voltage and 1/4, 1/2, 3/4 full load meet average efficiency level:V
	ERP	2009/125/EC
3-9	HOLD UP TIME	5ms min at nominal Input Voltage
3-10	TURN-ON DELAY	3 Seconds maximum at nominal input Voltage
3-11	PROTECTION	
	SHORT-CIRCUIT PROTECTION	The adapter shall not be damaged by short the DC output to Ground
	REMARK	Unless otherwise specification output load Must set at CR mode.

### 4. MECHANICAL REQUIREMENT

#### 4-1 DIMENSION

74.5 (L) \* 36 (W) \* 64 (H) mm maximum

#### 4-2 WEIGHT

200g maximum

#### 4-3 INPUT PLUG TYPE

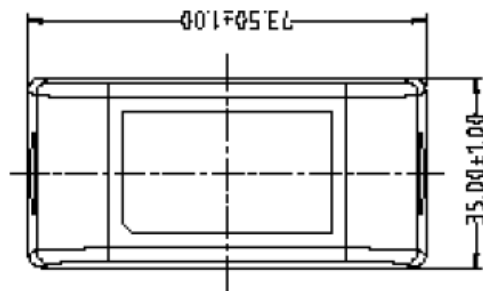
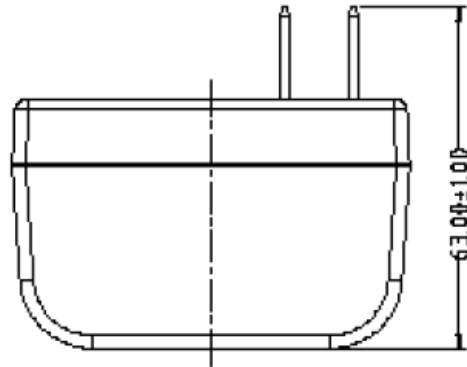
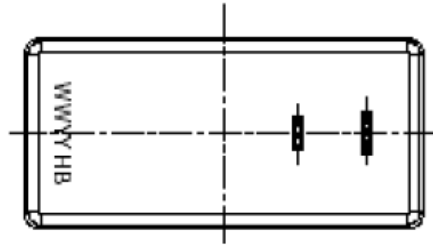
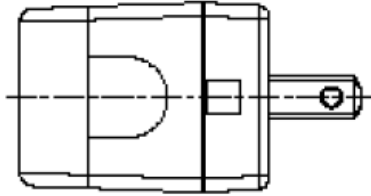
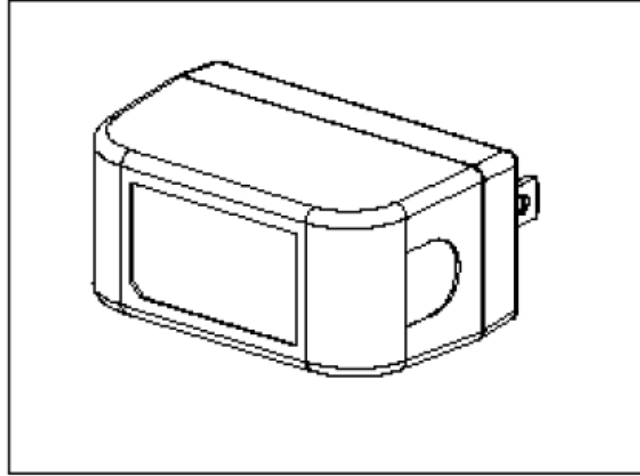
US-PIN

#### 4-4 OUTPUT CORD

WIRE: 20AWG# 2C 2468, 1800mm

PLUG: JACK PLUG 5.5\*2.5\*9.5mm

# USA plug drawing




DESCRIPTION	DATE	REVISER


**DVE**® Switching Adapter  
交換式電源供應器


MODEL/型號: DSA-20PFE-12 FUS 120150  
P/N: 30-132-101238B

INPUT/輸入: 100-240V ~ 50/60Hz 0.7A  
OUTPUT/輸出: +12V = 1.5A ⊖ ⊕

LEVEL3 EFFICIENCY LEVEL:  V

I.T.E L.P.S  
81GJ  
E135856

 LISTED (G)

 R33050

Made In China 中國製造