

CCTV LENS

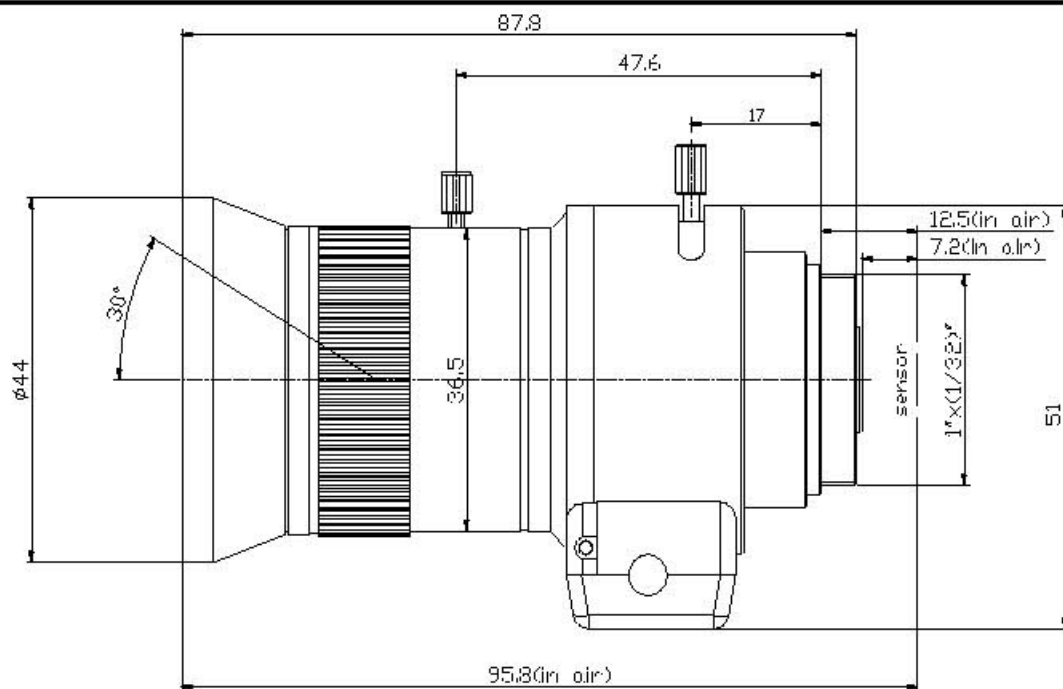
Parameter of Lens

Photo (Just for Reference)

Name	1.3 Mega pixel/IR		
Model No	ON-M0560DC-IR		
Focal-Length(mm)	5~60		
Aperture(D/f')	1/1.6		
Mount	CS		
Format(inch)	1/2.7"		
H-FOV	51°~5°		
Dimension(mm)	Φ44.0x87.8x51.0		
Weight(g)	175±5		
M.O.D(m)	0.7		
Operation	Focus	(w/lock)	
	Zoom	(w/lock)	
	Iris	DC	



Size

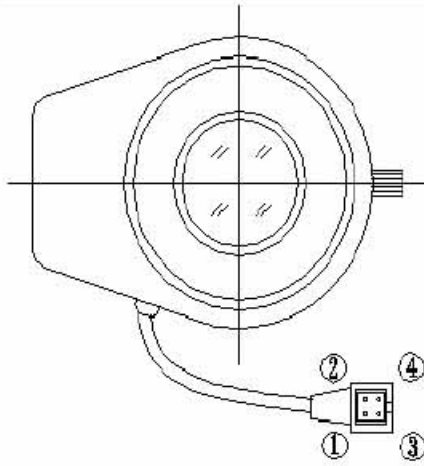


Tolerance

Dimension	0-10	10-30	30-100	Unit
Tolerance	±0.10	±0.20	±0.30	mm

CCTV LENS

Auto-Iris



DC Resistance	Excite	190Ω±10%
	Brake	740Ω±10%
Operating Voltage	C→O	3.5V~5V
Iris Wiring instruction	①	Drive-
	②	Drive+
	③	Damp+
	④	Damp-

Iris Line Length:300mm

Lens Operational Environment

Storage Environment

Working Environment

-20℃~+60℃; 10~90%RH (non-condensing)

-10℃~+50℃; 10~90%RH (non-condensing)