

1/2.7" Megapixel IR Series

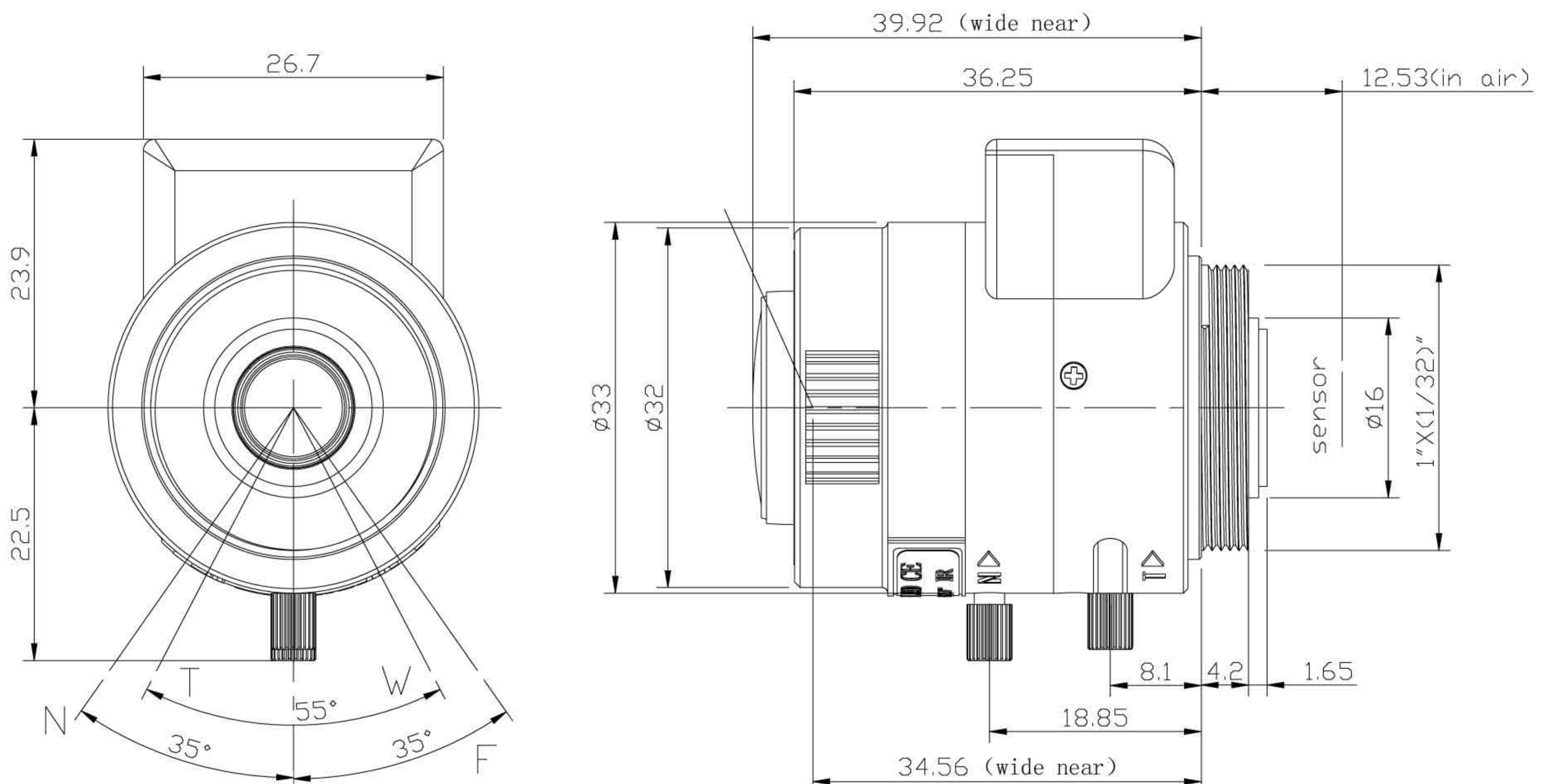
ON-M2812DCA-IR (2MP)



- 2.8 - 12mm
- CS Mount
- 1/2.7" Format
- DC-Iris
- 2 Megapixel
- IR Correction

E.F.L.		2.8 ~ 12 mm
F No.		F1.4
H.FOV	1/2.8" 1080P	106° ~ 32°
Image Format		1/2.7"(max)
Iris Type		DC-Iris
Mount Type		CS
M.O.D		0.3m
TV Distortion	1/2.8" 1080P	-9% (wide)
Chief Ray Angle (Max)		<8°
Control Type	Zoom	Manual
	Focus	Manual
Operating Temperature		-20°C ~ 60°C
Weight		40g ±4g

Dimensions



Tolerance(mm)	0 ~ 10 ±0.05	10 ~ 30 ±0.10	30 ~ 120 ±0.20	Angle ±2°
---------------	--------------	---------------	----------------	-----------