

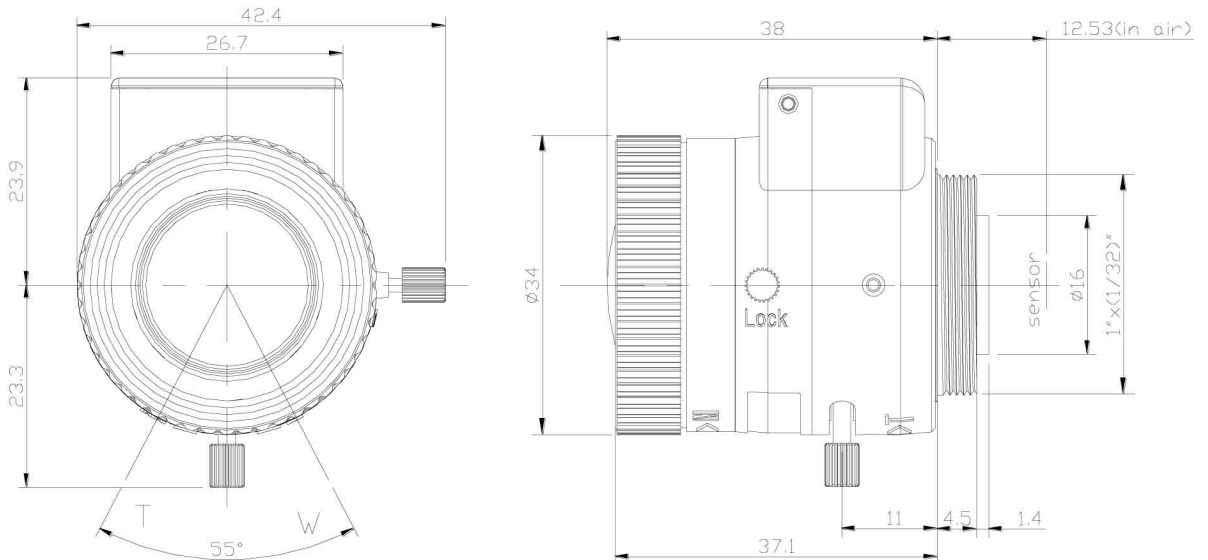
ON-M3610D3-IR

3MP 1/1.8" Megapixel 3.6-10mm IR Lens



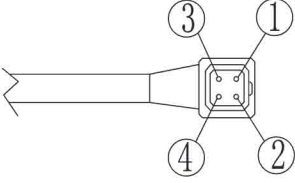
E.F.L.		3.6 ~ 10 mm
F No.		F1.5
Mount Type		CS
H.FOV	1/1.8"	106°~41°
Image Format (Max)		1/1.8"
Iris Type		DC-Iris
M.O.D		0.3m
TV Distortion	1/1.8"	-18% (wide)
Control Type	Zoom	Manual
	Focus	Manual
Operating Temperature		-20°C ~ 60°C
Weight		46g

Dimensions



DC-Iris

1. Connector and Cord Specification

	1	Damping(-)
	2	Damping(+)
	3	Driving(+)
	4	Driving(-)
Connector	Square 4 pin	JEITA Standard
	Cable Length	250mm

2. DC-Iris Specification

DC Motor	Driving Coil	190Ω at 20°C
	Damping Coil	560Ω at 20°C
	Storage Temperature	-30 ~ 70°C
Operating	Voltage (Open)	3.5 ~ 5V
	Voltage (Close)	<0.5V
	Operating Temperature	-20 ~ 60°C