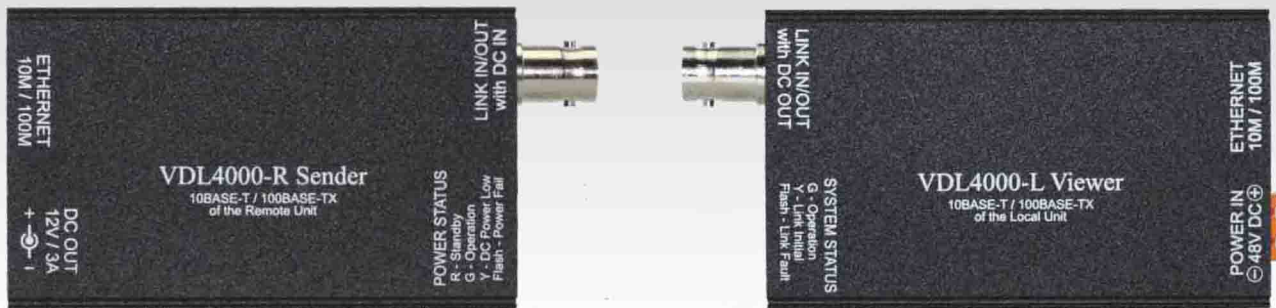


# 10M/100M Ethernet Transmission for IP Network Camera Connection *VDL4000*



Over One Coaxial Cable  
Efficient Transmission for  
Duplex Digital Link and Safe DC Power

## VDL4000 SERIES

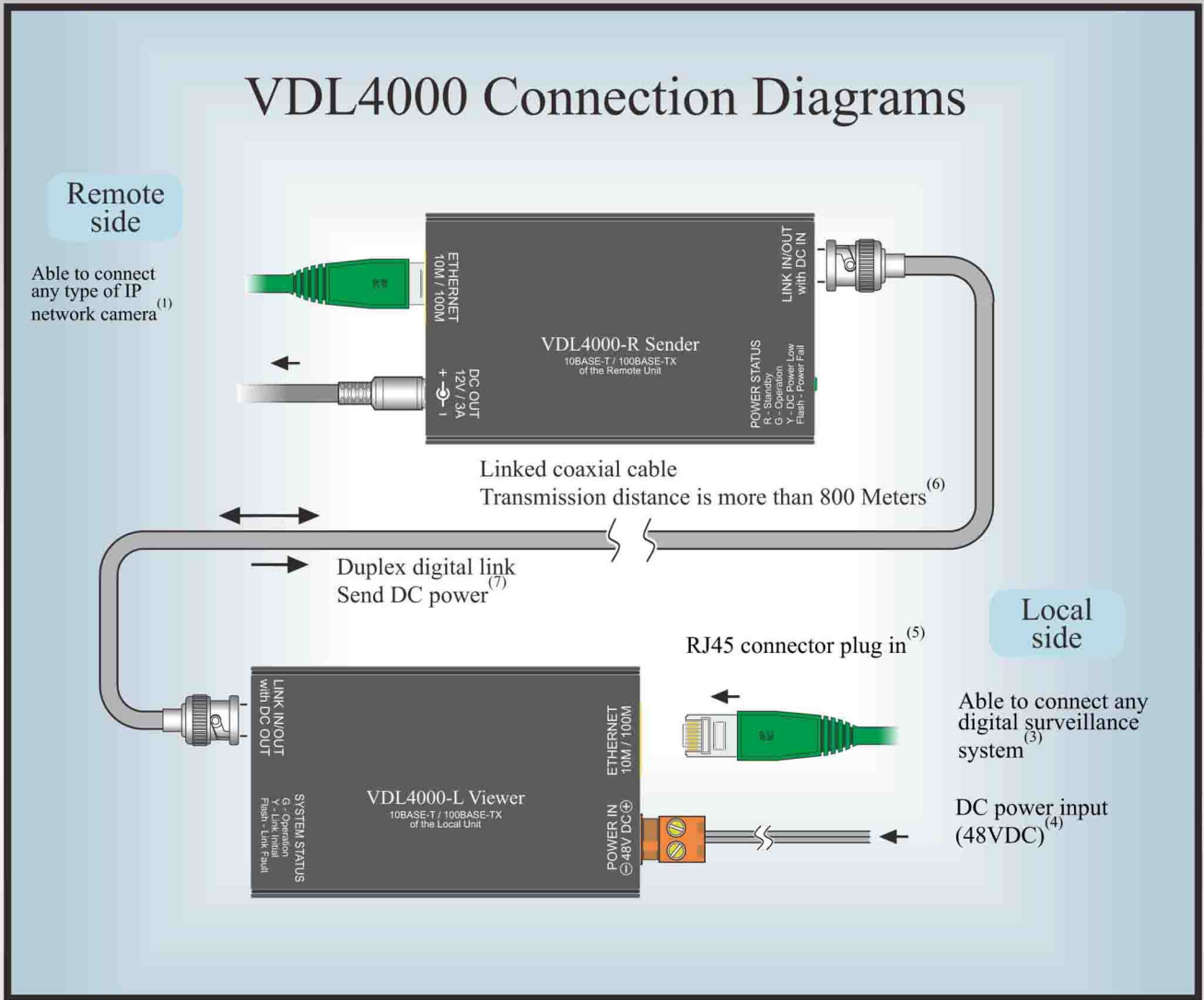
### Features:

- Support to various types of IP cameras.
- Transmitting the digital video signals and the safe-DC power to the camera over single coaxial cable.
- IP address or other set up are not required, Protocol Free.
- Utilizing coaxial cable (RG-6/U) instead of the LAN cable (Cat-6) for transmission.
- More than 800 meters transmission distance from Local unit to Remote unit (by RG-6/U, 5C-2V or equivalent cable are recommended).
- By thick or heavy duty coaxial cable, the transmission distance can be more than 1,000 meters.
- With IP and Link LED indicators for transmission and power status.
- Support single Link or multi Links via Hub switch.

### Applications:

- Network Connection : Ethernet 10M/100M, RJ45 (8P8C) connector.
- IP Interface : 10BASE-T/100BASE-TX, Half/Full Duplex.
- Link Interface : BNC, 75 ohms coaxial cable.
- DC power output at Remote unit : 5VDC to 24VDC, depends on Camera requirements.
- Power supply capacity : DC12V /3A, and DC24V/ 2A.
- DC power input at Local unit : 48VDC with the power current 60W up.

# VDL4000 Connection Diagrams



## Description:

- (1) No protocol problem and able to connect any type of IP network camera which meets Ethernet 10BASE-T/100 BASE-TX, Half/Full Duplex
- (2) Able to do duplex digital link and send DC power from Local unit to Remote Unit simultaneously
- (3) No protocol problem if the digital surveillance system meets Ethernet 10BASE-T/100 BASE-TX, Half/Full Duplex
- (4) DC power input (48VDC) is required here (depend on model)
- (5) Using RJ45 (8P8C) 10M/100M Ethernet plug
- (6) RG-6/U (bare copper) or equivalent coaxial cable is recommended. The transmission distance is more than 800 Meters