

# 10M/100M Ethernet Transmission for IP Network Camera Connection

## PoE solution extend VDL4020 capabilities

Current IP camera security system installation uses standard Cat-6 as the link cable, transmitting only up to 100 meters far. Now our VDL4020 offers a more convenient and reliable solution for IP Network cameras. It transmits IP signals up to 800 meters to the Local side and also supplies DC power simply through one coaxial cable and PoE powering IP camera, PoE can be achieved SNMP management capabilities.

1. Look upon VDL4020-R (Sender) as PSE and IP cameras as PD.
2. PoE integrates data and power on the same wires
3. Simplified installation work, saves time and money.
4. Complies with IEEE802.3af, class 0 (include 1-4)

Specification of VDL4020-R Sender

Electrical Specifications (4020-RU)	
Ethernet	10/100Mbps Ethernet standard
Link OUT/IN with DC IN	Link Signal: Downlink 18MHz (output signal)
	Downlink Signal Bandwidth: 8.5MHz
	DC IN: +28V to +48V
Downlink Throughput	28Mbps
Power Output	PoE Power, DC 48V, 15.4W, Meets IEEE802.3af, class 0 (include 1-4)

Connector Specifications (4020-RU)	
Ethernet	RJ45 connector
Link OUT/IN with DC IN	BNC 75 ohms female socket

Specification of VDL4020-L Viewer

Electrical Specifications (4020-LU)	
Ethernet	10/100Mbps Ethernet standard
Link OUT/IN with DC OUT	Link Signal: Uplink 39MHz (output signal)
	Uplink Signal Bandwidth: 2.5MHz
	DC OUT: +47V
Uplink Throughput	4Mbps
DC Power Input	DC 48V ± 8%, 1.25Amps max

Connector Specifications (4020-LU)	
Ethernet	RJ45 connector
Link OUT/IN with DC OUT	BNC 75 ohms female socket
DC Power Input	2 Pin PTB*, 5.0mm Pitch

(\* PTB= Pluggable Terminal Block)



Fig. 1 VDL4020 RU / LU, and Power Adaptor

## Features

- IP addresses and other setups are not required. Protocol Free.
- Supports all types of (HD) IP cameras.
- An durable coaxial cable (RG-6/U) rather than a LAN cable (Cat-6) is used for transmission.
- Sends DC power (Safe-DC mode) and duplex (bi-directional) IP signals through a single coaxial cable.
- Network Connection: Ethernet 10M/100M, RJ45 (8P8C) connector.
- More than 800 meters of transmission distance from Local Unit to Remote Unit. ( RG-6/U, 5C-2V or equivalent coaxial cables are recommended).
- Thick or heavy duty coaxial cables increase the transmission distance to be more than 1,000 meters.

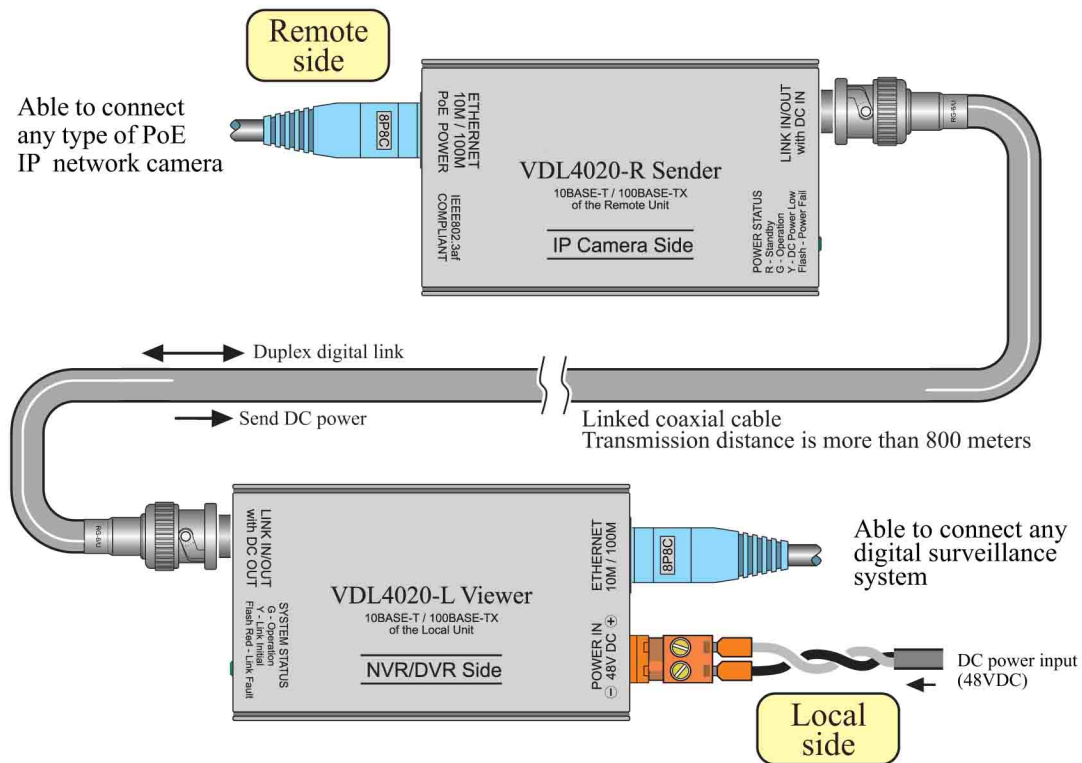


Fig. 2 VDL4020 Connection Diagrams

### Specification of VDL4020-R Sender

Physical Specifications (4020-RU)	
Unit Dimensions	(L x W x H): 84mm x 50mm x 25mm
Weight	135 grams

Environmental Specifications (4020-RU)	
Operating Temperature	-10 to 50°C (14 to 122°F)
Relative Humidity	20% to 90%, non-condensing

### Specification of VDL4020-L Viewer

Physical Specifications (4020-LU)	
Unit Dimensions	(L x W x H): 84mm x 50mm x 25mm
Weight	98 grams

Environmental Specifications (4020-LU)	
Operating Temperature	-10 to 40°C (14 to 104°F)
Relative Humidity	20% to 90%, non-condensing