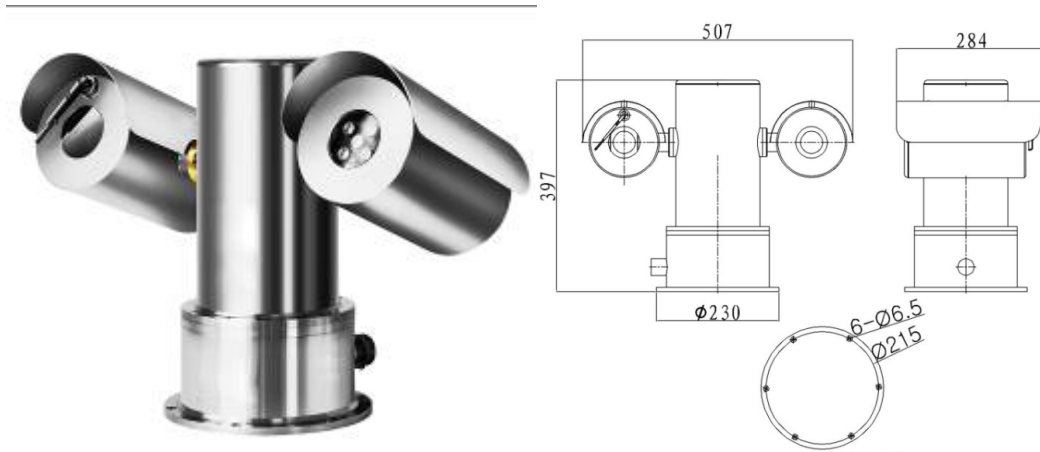




Model : **ON-EXPTZ01-2M**

2MP AHD PTZ Camera (316L Stainless Steel Explosion Proof)



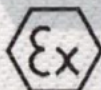
Application Environments

Applicable for the factories having the explosive mixtures formed from class IIA,IIB and IIC T1-T6 group flammable gas, steam with air in area No.1 , No.2, and appearing the explosive hazardous area due to the mixture of flammable dust and air in area No.20,No.21 and No.22,such as oil field, chemical plant, port, oil storage, steamship, oil drilling platform, gas stations, coal mine, aviation, military, medicine, steel, firecrackers production, machinery, food processing and storage and so on.

Features

- Highly integrated explosion-proof PTZ, explosion-proof decoder, smaller volume and lighter, more intelligent and advanced function.
- Apply for severe dangerous environment with variety flammable gas and dust, double side loading type design, camera, infrared lamp and other auxiliary lighting equipment can be collocated with.
- 316L stainless steel material, integrated design, the window adopts double plate water-proof tempered glass, impact resistance, good shielding and heat dissipation. Explosion-proof, dust-proof, water-proof, rust-proof.
- 360°horizontal rotation, -90°~+90°vertical, omnibearing monitor suspicious target.
- PD/PP protocol self-adaptive, RS422/485 communication method.
- RS-485 control functions, compatible with a variety of communication protocols and baud rate, and also able to react to various host orders.
- Optics class toughened ultra-clear white explosion-proof glass,flux rate higher than 96%, eliminate infrared light halo completely.
- Invisible nano wiper, non-stick water, non-stick oil, dust-proof.
- Semiconductor thyristor temperature control module is selectable; it can achieve automatic heating and cooling function.

Technical Parameter

Model	ON-EXPTZ01-2M
Certificate of Conformity	
Marking	 II 2G Ex db IIC T6 Gb II 2D Ex tb IIIC T(Max 80°C) Db
Cer.No.	IEP 17ATEX 0549
Mechanical Features	
Material	316L Stainless Steel
Surface Treatment	Original Stainless Steel Color, Electro polishing Optional
Ingress Protection	IP68
Rotation Angle	Horizontal 0°~360°, Vertical-90°~+90°
Rotation Speed	Horizontal 0.1°/s~30°/s, Vertical 0.1°/s~30°/s
Communication Method	RS422/485
RS-485 Protocols	Pelco-P, Pelco-D, self-adaptive
Interface Spec	G-3/4"
Weight	≤28kg
Automatic Scanning	1 (Menu control can set 5)
Automatic Cruise	1 (Menu control can set 8)
Tracking	1 (Record 200 instructions)
Max Carrying Capacity	10kg
Method of Installation	Wall Mounting & Upright Platform Installation
Camera	
Sensor Type	AHD(1080P) SONY IMX291+FH8550D
Minimum Illumination	0.003Lux
White Balance	Auto
Lens	
Focal Length	5.5mm~110mm, 20x Optical Zoom
Zoom Speed	Approx.2.7s (Optical Lens, Wide-Tele)
Aperture Range	F1.6~Close
Infrared	
Distance	60-100m
Wavelength	850nm
Electrical Features	
Power Supply	DC24V/AC220V
Working Current	≤2000mA
Electrical Connectivity	Composite Cable
Automatic Mode	Automatic Cruise or Any Setting Two Rounds
Pre-position	256 Location(Selectable)
Pre-position accuracy	Automic Correction Error
Environmental	
Rated Temperature	(-30℃, +70℃)
Atmospheric Pressure	80-106KPa
Relative Humidity	≤95%RH(+25℃)