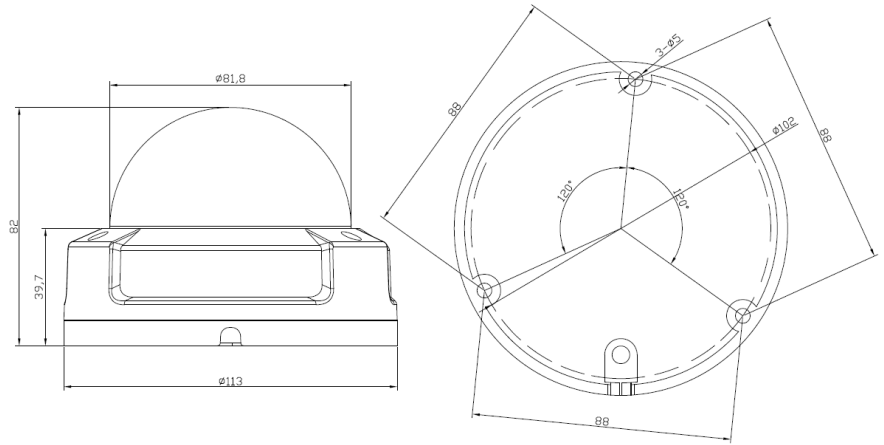




ON-FD645SIR-V4 4MP 2 in 1 (AHD+TVI) IR Metal Dome Camera



Model	ON-FD645SIR-V4
Sensor	1/3" 4MP CMOS(OV4689+FH8538M)
Signal Mode	PAL/NTSC
Effective Pixel	2688H*1520V
Noise Reduction	2D/3D
Day/Night	Auto(ICR)/Color/Black
Min. Illumination	0.01 Lux
S/N Ratio	≧ 50dB
Electronic Shutter	AUTO/ 1/50 (1/60) -1/50,000sec
White balance (AWB)	AUTO
BLC	AUTO
Lens	3.6mm, F1.4
LED	15pc IR LED
IR distance	15M
Video Standard	Comply with AHD/TVI
Video Output	AHD/TVI
Max.Transfer distance	Normal 75-5 coaxial cable up to 500m
OSD Menu	Optional
Working Temperature	-10°C ~ +50°C , Less than 95%RH (No condensation)
Power	DC12V±10 %