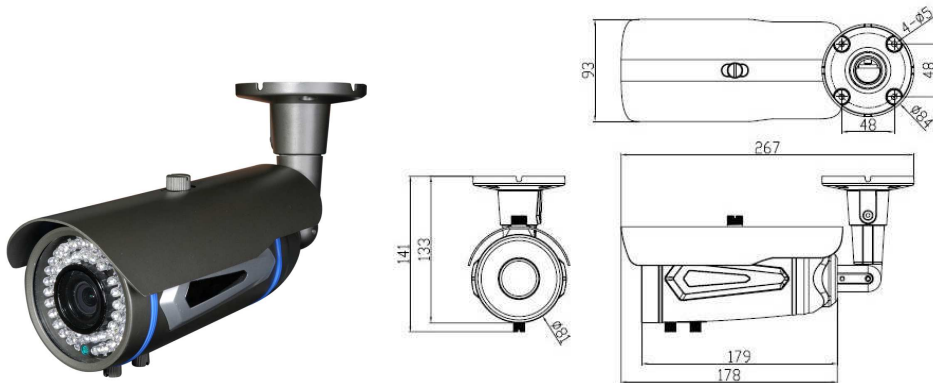




# ON-NB326Y-S6 2MP 4 in 1 IR Bullet Camera



<b>Model</b>	<b>ON-NB326Y-S6</b>
<b>Sensor</b>	1/2.9" 2Mega Pixel CMOS(IMX323+NVP2441)
<b>Signal Mode</b>	PAL/NTSC
<b>Effective Pixel</b>	1920H*1080V
<b>Noise Reduction</b>	2D/3D
<b>Day/Night</b>	Auto(ICR)/Color/Black
<b>Min. Illumination</b>	0.05 Lux/F1.2
<b>S/N Ratio</b>	≧ 50dB
<b>Electronic Shutter</b>	1/25s~1/45,000s
<b>Lens</b>	2.8~12mm
<b>LED</b>	48Pcs IR LED
<b>Infrared Distance</b>	40M
<b>Video Standard</b>	Comply with AHD/TVI/CVI
<b>Video Output</b>	AHD/TVI/CVI/CVBS
<b>Max.Transfer distance</b>	Normal 75-5 coaxial cable up to 500m
<b>OSD Menu</b>	Optional
<b>Working Temperature</b>	-10°C ~ +50°C , Less than 95%RH (No condensation )
<b>Power</b>	DC12V±10 %