

Model : ON-IP360STH Waterproof 2.0 Megapixel Starlight IP 360 Degree Fish Eye Camera



Features

*2.0MP 1080P High Resolution

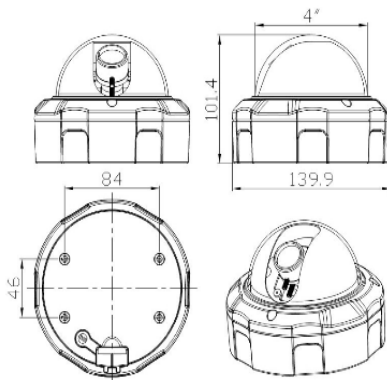
360degree fisheye lens

*Image without warping

*Standard ONVIF 2.6

*Vandalproof housing

Dimension



Accessories

CD

Screw

Camera	
Product Name	2.0 Megapixel Starlight IP 360 Degree Fish Eye Camera
Model No.	ON-IP360STH
DSP	High performance Mstar313E DSP+Sony307
Imaging Sensor	1/2.8" SONY CMOS Sensor
Resolution	2.0 Megapixel, 1920x1080
Lens	360degree fisheye lens
IR LEDs	/
Night Vision Distance	/
Video	
Video processing	H.265 video compression, dual streaming, AVI format, 0.1M~6Mbps adjustable;
Video Output	Main stream: 1920×1080,1280×960,1024×768,1280×720 Sub Stream:960×540,640×360,480×270,352×288,320×240
Frame rate	2.0MP 20 frame(full real time),support 1~20frame/seconds adjustable
Illumination	Color 0.0001Lux @F1.2; B&W 0.0001Lux@F1.2
D/N Mode	IR-CUT Auto switch
Network and Function	
Network Interface	RJ45 ethernet ,10/100 M adaptive;support RTSP/FTP/PPPOE/DHCP/DDNS/NTP/UPNP etc.protocol
Access Protocol	Spoort Standard ONVIF protocol, support third-party access;Support Smart phones; support Android system, iPhone platform,Hikvision protocol
Motion Detection	support motion detection,IO alarm linkage front-end storage device
Remote Control	Support uniform client and platform system application
SDK	Supply complete SDK for second development.
Playback	Support front end storage ,playback and download
WEB configuration	Support WEB configuration, OSD, real-time video transmission
IP66	YES
Common	
Power	12VDC(±10%)/POE,WIFI, audio Pickup optional
Operating Temperature and humidity	-10℃-50℃,20%-90% RH
Dimension	Φ117*85
Weight	2.5kg