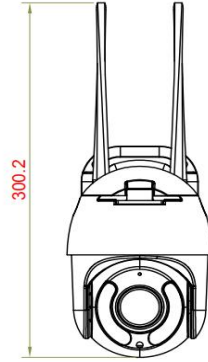
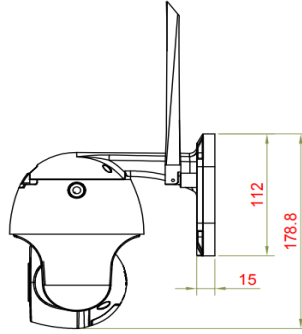




**Model : ON-IP58FD-4X-2M-AI 2MP SMART AI AUTO TRACKING SPEED DOME**



- \* 2.5", Half Metal Housing, IP66
- \* Support 4X optical zoom;
- \* Support 3D human tracking;
- \* Support P2P real-time message push;
- \* Built in two way audio function, intrusion warning prompt
- \* ONVIF; Compatible with HIKVISION, DAHUA, Raysharp, TVT, AEVISION NVR etc
- \* Intelligent IR illumination & power consumption is variable, dependant the zoom factor

Camera	
Resolution	2MP 1920x1080@25fps
Sensor	Hi3516E+F37H
Optical Zoom	4X Zoom f=2.8mm~12mm
BLC	Support
AGC	Auto/manual
WB	Auto/manual/indoor/outdoor
DNR	2DNR,3DNR
WDR	DWDR
S/N Ratio	≥50dB
Dome	
Mobile View	Android, IOS (P6SLite)
Communications Protocol	TCP/IP, HTTP, NTP, IGMP, DHCP, UDP, SMTP, RTP, RTSP, ARP, DDNS, DNS, HTTPS, P2P
Compatibility	HIKVISION, DAHUA, Raysharp, AEVISION, etc
Remote Control	Support Android / IOS Smart Phone Remote Control
Software Control	IE, EasyVMS, P2P(P6SLite)
Rotation Range	Pan: 0°~350° , Tilt: 0°~93°
Rotation Speed	Pan: 0~35°/s , Tilt:0~25°/s
Preset Points	256pcs presets ( dwell time 01-60s interval available)
A-B scan	User programmabel(scan speed 1-64 levels setting available)
Guard Tours	1 groups( Max.16 points, dwell time user selectable)
Tracking Distance	3-15M
Tracking Speed Range	3-15KM/h
3D Tracking Region	A single point trigger / 1-16pcs multipoint trigger
Audio	Built-in Two way Audio in Mobile APP(P6SLite), VMS, IE.; Audio Alarm Prompt
Additional Function	TF Card Slot(Max. 128G)
Operating temperature	-40°~+60°C
Operation menu	English
Power	DC 12V 2A(Not included)
Consumption	≤8W
IR distance	Up to 35 meters
LEDs	4PCS Array 42Mil IR LED+4PCS White Light LED