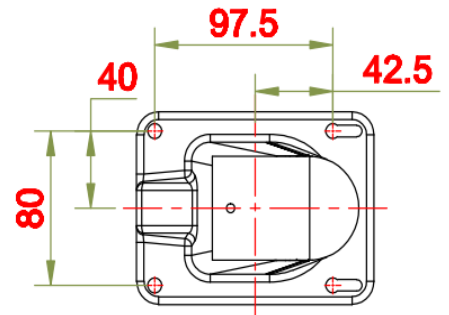
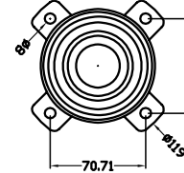
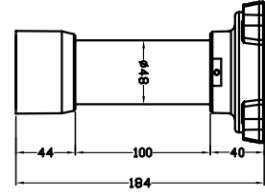
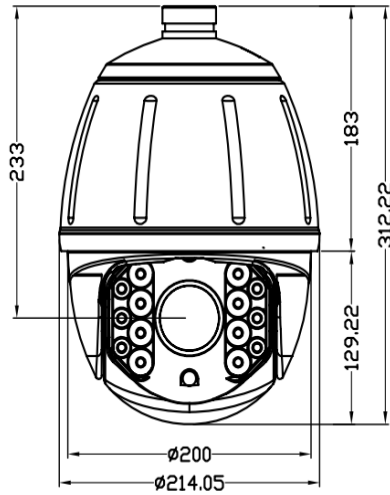




Model : **ON-IP812D-18X-2M-AI** 2MP SMART AI AUTO TRACKING SPEED DOME



- * Dual Light
- * 7", Half Metal Body Construction, IP66
- * P2P Real-Time Message Push
- * Support Hikvision, ONVIF with RJ45, H.265,P2P Function
- * Two way Audio, Built-in speaker and micro phone
- * Mobile App: P6S Lite

Camera	
Solution	Hi3516E+F37H
Output Pixel	1920*1080/25fps-30fps
Lens	18X f=5.35mm-96.3mm
Dome	
Mobile View	Android, IOS(P6SLite)
Network Protocol	TCP/IP, HTTP, NTP, IGMP, DHCP, UDP, SMTP, RTP, RTSP, ARP, DDNS, DNS, PPPoE, P2P
Rotation Range	Pan:0°~355°, Tilt:0°~93°
Rotation Speed	Pan:0~80°/s, Tilt:0~50°/s
Preset Points	256pcs presets (Single Calling)
Tour	1 Group, Max.16 presets
Tracking Distance	5-80M
Tracking Speed Range	3-12KM/h
ONVIF	Supports
Motion Detection	Supports
Auto Tracking	Supports
RJ45 Port	Supports
Operating Temperature	Outdoor: -40°C~+60°C
LEDs	4PCS Warm Light LED+9PCS IR LED(Dual Light)
IR Distance	240M
TF Card Slot	Supports (Max 128G)
Cloud Storage	Supports (HUAWEI Cloud)
Built-in Speaker and Micro Phone	Supports, Two way Audio in Mobile APP(P6SLite), VMS, IE.

Power	DC12V(4A)
Consumption	≤25W
Package	W310mm*D310mm*H440mm
Weight	1PC: N.W:3.5KG/G.W:5.7KG