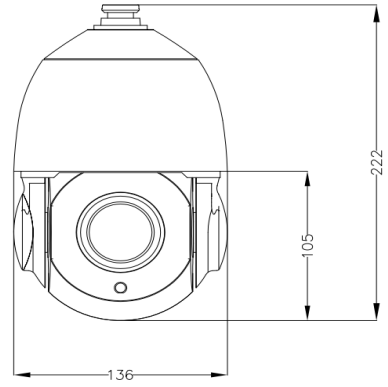
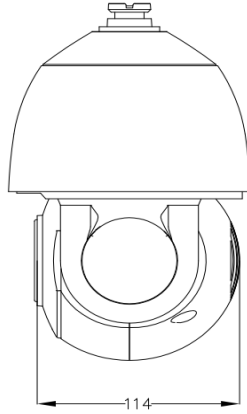




## Model : **ON-IP84F-20X-5M-AI** 5MP SMART AI AUTO TRACKING SPEED DOME



\* 4.5", Half Metal Housing, IP66

\* Support 3D human tracking;

\* Support P2P real-time message push;

\* Support 20X optical zoom; POE optional;

\* Built in two way audio function, intrusion warning prompt

\* ONVIF; Compatible with HIKVISION, DAHUA, Raysharp, TVT, AEVISION NVR etc

\* Intelligent IR illumination & power consumption is variable, dependant the zoom factor

Camera	
Resolution	2592x1944@20fps ; 2592x1520@15fps
Sensor	HI3516E+SONY335
Optical Zoom	20X zoom 4.35mm~96.3mm
BLC	Support
AGC	Auto/manual
WB	Auto/manual/indoor/outdoor
DNR	2DNR,3DNR
WDR	DWDR
S/N Ratio	≥50dB
Dome	
Mobile View	<b>Android, IOS (P6SLite)</b>
Communications Protocol	TCP/IP, HTTP, NTP, IGMP, DHCP, UDP, SMTP, RTP, RTSP, ARP, DDNS, DNS, HTTPS, P2P
Compatibility	HIKVISION, DAHUA, Raysharp, AEVISION, etc
Remote Control	Support Android / IOS Smart Phone Remote Control
Software Control	IE, CMS, Management Platform
Rotation Range	Pan: 0°~360° , Tilt: 0°~93°
Rotation Speed	Pan: 0~100°/s , Tilt:0~80°/s
Auto Flip	Horizontal 180°, Vertical 93°
Preset Points	220pcs presets ( dwell time 01-60s interval available )
A-B scan	User programmabel(scan speed 1-64 levels setting available)
Guard Tours	3 groups( Max.16 points, dwell time user selectable)
Tracking Distance	5-45M
Tracking Speed Range	3-12KM/h
3D Tracking Region	A single point trigger / 1-16pcs multipoint trigger
Audio	Built-in Two way Audio; Audio Alarm Prompt
Additional Function	Built-in POE optional; TF card no support
Operating temperature	-40°~+60°C
Operation menu	English
Power	DC 12V 3A
Consumption	≤15W
IR distance	Up to 60 meters
LEDs	6PCS Array 42Mil IR LED