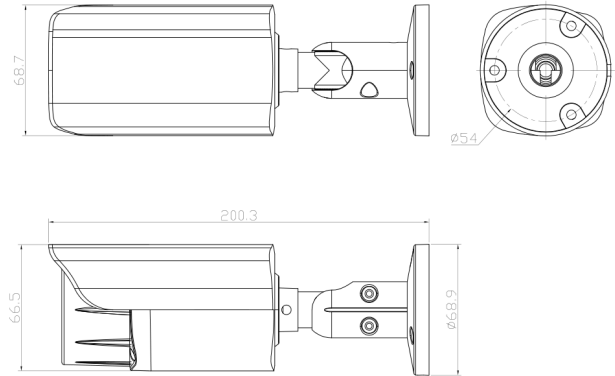




Model: **ON-IPB608EA37** 8MP IP Fixed Bullet Camera



Features:

- 1/2.8" Sony CMOS sensor
- 4K resolution 3840 x 2160P
- Low illumination 0.01Lux
- Day/Night, AWB/MWB,BLC, HLC, 2D/3D-DNR,Shutter, IR-CUT
- D-WDR, Mirror, rotate, Defogging
- Multiply Style OSD Overlay, Motion Detection, Privacy Mask
- RTSP and Onvif 17.06 compatible with many third-party NVR
- H.264/H.265 dual-stream media server
- Easy-to-use P2P Cloud service
- Support user authentication, video data encryption
- Support Alarm Snapshot to Email and FTP
- Multiply WEB browser IE, Firefox 32bit ESR, PC Client, Mobile APP remote access
- RJ45 100mbps network port, IEEE802.3af PoE
- Lightning protection 4000V
- Strong water-proof housing, IP66
- 12 pcs SMD Array IR Leds, IR distance : 15-20M
- HD 3.6 mm fixed lens

Technical Specifications:

Model	ON-IPB608EA37
Camera	
Image Sensor	1/2.8" Sony CMOS IMX415 + MC328Q
Effective Pixels	8 megapixels
Electronic Shutter	AUTO, 1/25s ~ 1/100000s
Min. Illumination	0.01Lux@F1.2(AGC ON), 0Lux IR on
Day/Night	Auto/Color/(B/W)/Timing
WDR	Digital WDR
White Balance	Auto/Manual
BLC /HLC	Support
DNR	2D/3D DNR
Other	AGC, Motion Detection, Privacy Mask, Flip, Rotate, RIO,OSD overlay
Encode	
Video Standard	H.264/H.265
Video Resolution	MainStream : 20fps@8MP(3840x2160),30fps@6MP(3072x2048)/5MP(2592x1944)/4MP/3MP/1080P/720P,etc. Sub stream : 720x480/VGA(640x480)/360P/QVGA@30fps,etc.
Video Bitrates	512Kbps - 12Mbps, VBR/CBR
Audio Standard	G.711-u/G.711-a
Built-in Mic	Optional
OSD Overlay	Title and Time overlay ,custom color adjustable
IR Led	
IR Led	12 pcs SMD array IR Led
IR Distance	15-20M
Lens	
Focal length	3.6 mm fixed lens
Optional Function	
PoE, Audio	
Network Services	
Protocol	HTTP/RTSP/FTP/SMTP/DHCP/NTP/NFS, etc.
P2P	Yes
Web	IE , Firefox (32bit esr), etc.
Media	CMS, Android, IOS
ONVIF	17.06 compatible
General	
Network Port	1-RJ45, 100Mbps, POE : internal type
Power Supply	12 VDC ± 10%
Power Consumption	< 8 W
Operating Temp.	-30°C-(+60)°C, 10%-90%RH