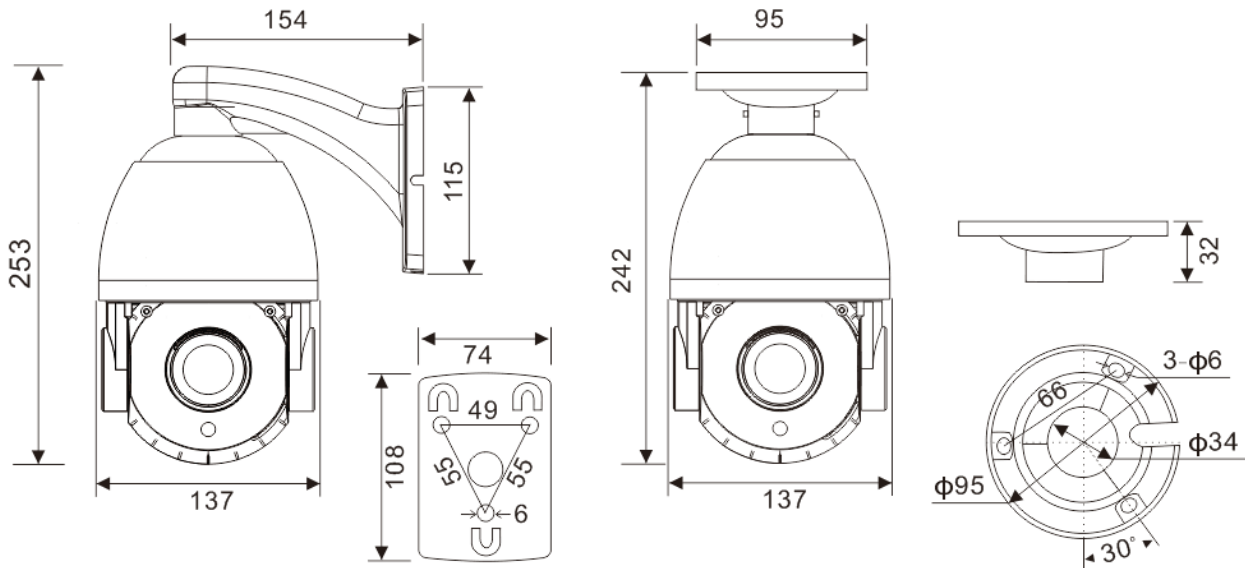




Model : **ON-IPTZ608IR-20X** 4K 8 Megapixels PoE infrared Mini IP PTZ camera



Features:

- 1/2.8" Sony low-light CMOS sensor
- 4K 8MP resolution 3840 x 2160 output
- low illumination 0.01Lux
- 20x optical zoom lens
- Day/Night, AWB/MWB,BLC, HLC, 2D/3D-DNR,Shutter, IR-CUT
- D-WDR, Mirror, flip, Defogging

- Multiply Style OSD Overlay, Motion Detection, Privacy Mask
- RTSP and Onvif 17.06 compatible with many third-party NVR
- H.264/H.265 dual-stream media server
- Easy-to-use P2P Cloud service
- Support user authentication, video data encryption
- Support Alarm Snapshot to Email and FTP
- Multiply WEB browser IE, Firefox 32bit ESR, PC Client, Mobile APP remote access
- Lightning protection 4000V
- Strong water-proof housing IP66
- 8 pcs Array IR Led, IR distance 80-100 meters

Technical Specifications:

Model	ON-IPTZ608IR-20X
Camera	
Image Sensor	1/2.8" Sony CMOS
Effective Pixels	8 megapixels
Electronic Shutter	AUTO, 1/25s ~ 1/100000s
Min. Illumination	0.01Lux@F1.2(AGC ON), 0Lux IR on
Day/Night	Auto/Color/(B/W)/Timing
WDR	Digital WDR
White Balance	Auto/Manual
BLC /HLC	Support
DNR	2D/3D DNR
Other	AGC,Motion Detection,Privacy Mask,Flip,OSD overlay
Encode	
Video Standard	H.264/H.265
Video Resolution	MainStream:20fps@8MP(3840x2160),30fps@6MP(3072x2048)/5MP(2592x1944)/4MP/3MP/1080P/720P,etc. Sub stream: 720x480/VGA(640x480)/360P/QVGA@30fps,etc.
Video Bitrates	512Kbps - 12Mbps, VBR/CBR
Audio Standard	G.711-u/G.711-a
Built-in Mic	Optional
IR Led	
IR Led	8pcs array IR Led (4 near + 4 far)
IR Distance	80-100 M

Lens	
Focal length	4.7-94mm
IRIS	F1.6-3.5
View angle	64 - 2.9 °
Zoom	20x optical zoom
Optional Function	
High power PoE	
PTZ	
Pan/Tilt Range	Pan: 0° ~ 360°; Tilt: 0° ~ 90°
Preset Point	128
Control Speed	Pan: 0.5° ~40° /s; Tilt: 0.5° ~40° /s
A-B Scanning	Support
Auto Cruising	Support 8 groups
Power on Action	Preset/Scan/Cruise
Power-off Recovery	Support
Network Services	
Protocol	HTTP/RTSP/FTP/NFS/SMTP/DHCP/NTP, etc.
P2P	Yes
Web	IE , Firefox (32bit esr), etc.
Media	CMS, Android, IOS
ONVIF	17.06 compatible
General	
Network Port	1-RJ45, 100Mbps, PoE 48V in
Power Supply	12 VDC ± 10% 2A
Power Consumption	< 20 W
Operating Temp.	-30°C-(+60)°C, 10%-90%RH
Size	Φ137(mm)×234(mm)
Weight	2.3kg