

# EXPLOSION PROOF 4.2X IP CAMERA

## ON-K6126MP (4.2X)



### Feature

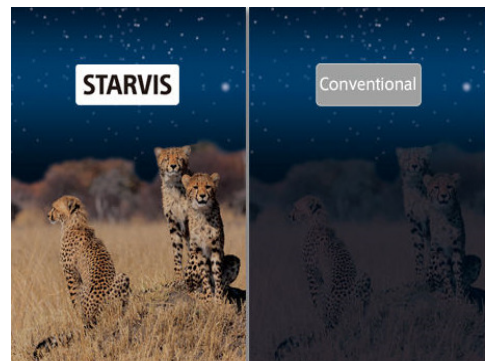
- Certified for Gas: Zones 1 and 2 IIC T6 Group  
Dust: Zones 21 and 22 IIIC T85°C Group
- Temperature range -40°C ~ 70°C
- Enclosure NEMA 4X, IP68, IP69K & IK10
- Stainless steel 316L
- Preinstalled armored cable 4M
- Vibration Test approved
- Star Light Sony sensor IMX307
- True WDR 120dB
- Double trigger
- POE support
- ONVIF compliant
- APP push video
- Compact size max: 95x145.5mm
- Made in Taiwan

| Certification | Mark                     |
|---------------|--------------------------|
| Atex          | II 2G Ex d IIC T6 Gb     |
| Atex          | II 2D Ex t IIIC T85°C Db |
| IECEX         | Ex d IIC T6 Gb           |
| IECEX         | Ex t IIIC T85°C Db       |



Solution for hazardous area: onshore, offshore, heavy industrial, oil and gas environments

### Star Light Sony Sensor

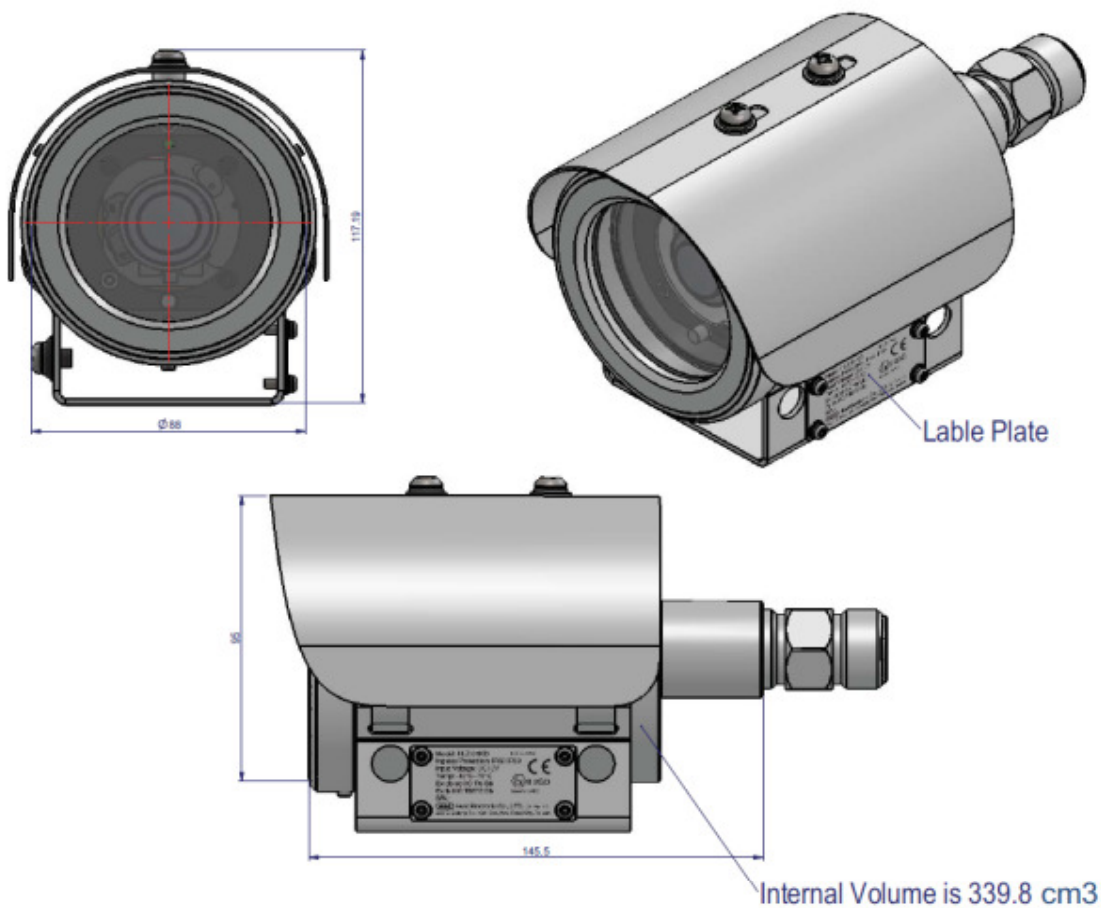


Excellent low light (STARVIS)

## ON-K6126MP (4.2X)

|                 |                       |  |
|-----------------|-----------------------|--|
| Server          | Compression           | H.265/ H.264/ MJPEG  |
|                 | Maximum Stream        | 4 simultaneous stream  |
|                 | Resolution            | 1920x1080@30fps, 1280x720@30fps, 640x480@30fps, 640x360@30fps, 320x240@30fPS, 176x144@30fPS  |
|                 | Traffic Control       | 32K ~ 8Mbps  |
|                 | Max. Frame Rate       | (30fps)1920x1080   |
|                 | Safety                | Password protection, IP address filtering, HTTPS encrypted data transmission, 802.1X port-based, authentication for network protection, QoS/DSCP, ICMP   |
|                 | Protocols             | IPv6, IPv4, HTTP, HTTPS, SNMP, QoS/DSCP, Access list, IEEE 802.1X, RTSP, TCP/ IP, UDP, SMTP, FTP, PPPoE, DHCP, DDNS, NTP, UPnP, 3GPP, SAMBA, Bonjour, ONVIF, RTMP  |
|                 | Number of User        | Max. 10 connections  |
|                 | Storage Capacity      | Micro SD card / FTP / NAS(Samba) / E-mail  |
|                 | Alerting              | SMTP / FTP / Samba / Micro SD / I/O / Google Drive / Dropbox   |
|                 | Pre / Post Alarm      | Pre(0,1,2,3,4,5) / Post(0,1,2,3,4,5,10)seconds   |
|                 | Release for Alarm     | Motion detection / I/O / Schedule / Tampering Detection / Sound Detection  |
| Double Trigger  | Yes                   |  |
| Network Camera  | Sensor                | 1/2.8" Sony STARVIS CMOS sensor IMX 307  |
|                 | Optical Lens          | Motorized lens 2.8~12mm / optical 4.2x zoom / F1.4   |
|                 | View Angle            | 36~98° (H), 19.7~52.3 ° (V)  |
|                 | T-WDR                 | Yes, 120dB   |
|                 | AGC                   | 8X ~ 128X  |
|                 | Shutter Time          | Outdoor / Indoor / 1/1/ , 1/30, 1/50, 1/60, 1/100, 1/125, 1/250, 1/500, 1/1000, 1/5000, 1/10000  |
|                 | Min Illum             | 0.005 Lux (Color), 0.001 Lux (B/W)   |
|                 | ICR                   | IR cut filter mechanism, day & night manual switch time control  |
|                 | Intelligent Video     | ROI / Smart Stream / T-WDR / D-WDR / Tampering Detection / Privacy Mask / 3D-De Noise Reduction / Anti-fog / Sound Detection / Corridor Mode / Video Orientation / Double Trigger / Automatic Network Replenishment(ANR) |
| Explosion Proof | Housing Material      | AISI 316L Stainless Steel  |
|                 | Certification         | Atex :<br>II 2G Ex d IIC T6 Gb<br>II 2D Ex t IIIC T85°C Db<br>IECEX:<br>Ex d IIC T6 Gb<br>Ex t IIIC T85°C Db<br>TUV Certificate Directive 2014/34/EU - Explosion Protect<br>Vibration SGS<br>EMP Class D (by requested)  |
| Audio           | Audio                 | 2-way  |
|                 | Audio Compression     | G.711(64Kbps) / G.726(24Kbps) / G.726(32Kbps)  |
|                 | Adjust Volume         | Web adjustable   |
|                 | Audio In              | 3.5mm phone jack(Support 2-way)  |
|                 | Audio Out             | 3.5mm phone jack(Support 2-way)  |
| Terminal        | Network Interface     | Ethernet (10Base-T/100Base-Tx) / PoE   |
|                 | RS-485                | Yes  |
|                 | Cable Length          | 4M   |
|                 | External Port         | DI / DO  |
|                 | SD Card               | Up to 256GB Industrial Micro SD card built-in (optional)<br>Micro SD Card (Recording trigger for schedule, Motion Detection, IP check, Network wire break down, DI)  |
| General         | Operation Voltage     | DC 12V Max: 2.28W, PoE Max: 2.88W  |
|                 | Dimen./Weight         | 95mm(φ) x 145.5mm(H) / 3.8kgs  |
|                 | Operation Temp.       | -40°C ~ +70°C  |
|                 | Enclosure Certificate | IP68, IP69K, IK10, NEMA 4X, UL2717 Cable   |

## Dimension



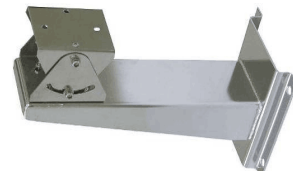
## Accessories (Option):



**ON-JB01S / Junction Box**  
SUS316L, G3/4 outlet hole x 2  
260 x 160 x 230mm, 3.3kgs



**ON-PP01S / Flexible Pipe**  
SUS316L  
1M



**ON-WM01S / Wall Mount Bracket**  
SUS316L  
150 x 312 x 305mm, 2.1kgs



**ON-PO01S / Pole Mount**  
SUS316L, Poles 4 to 6" diameter  
240 x 163 x 72mm, 1.6kgs



**ON-CA01S / Concave Corner Mount Adaptor**  
SUS316L  
305 x 210 x 60mm, 1.1kgs



**ON-CA02S / Concave Corner Mount Adaptor**  
SUS316L  
322 x 210 x 179mm, 2.1kgs