



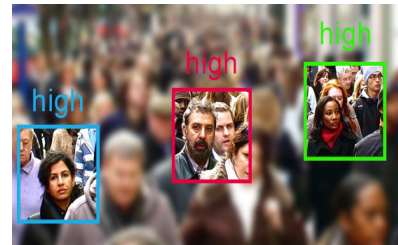
ANTI-CORROSION 4.2X IP CAMERA

ON-K6F26MP (4.2X)



Feature

- Anti-corrosion standard: NEMA-4X
- Temperature range -40°C ~ 70°C
- IP68 & IP69K
- Stainless steel 316L
- Built-in 4.2X motorized zoom lens 2.8-12mm
- ROI (Region of Interest) & smart stream function
- Star Light Sony sensor
- True WDR 120dB
- Double trigger
- Smart IR to 40 Meter
- POE support
- ONVIF compliant
- APP push video
- Compact size
- Made in Taiwan

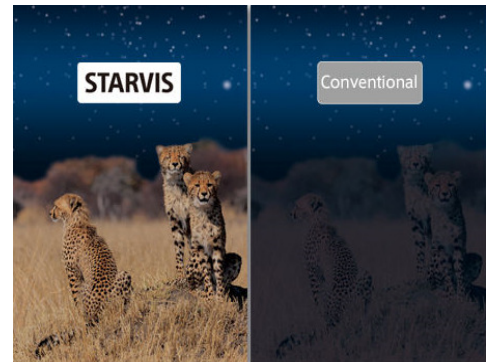


Region of Interest for 3



Solution for harsh area: on vessels at sea, ports and piers, bridges, exposed beachside, clean room or car parks

StarLight Sony Sensor

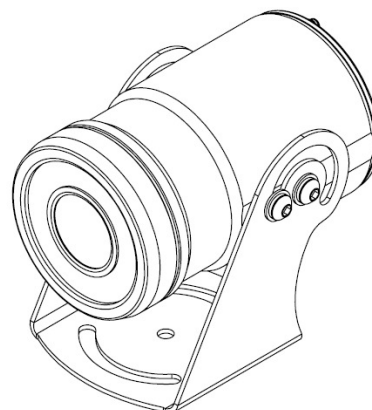
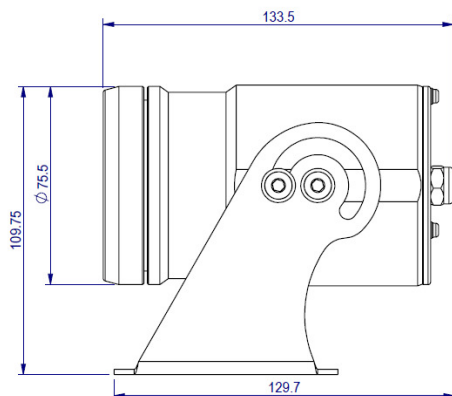
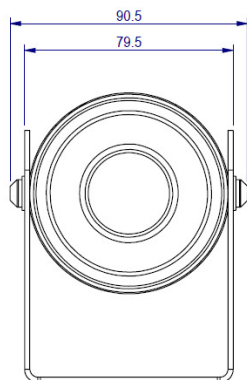


Excellent low light (STARVIS)

ON-K6F26MP (4.2X)

Server	Compression	H.265 / H.264 / MJPEG, 3 Streams
	Resolution	1920x1080@30fps, 1280x720@30fps, 640x480@30fps, 640x360@30fps, 320x240@30fps ,176x144@30fps
	Traffic Control	32K ~ 8Mbps
	Max. Frame Rate	(30fps)1920x1080
	Safety	Password protection, IP address filtering, HTTPS encrypted data transmission, 802.1X port-based authentication for network protection, QoS/DSCP
	Protocols	IPv6, IPv4, HTTP, HTTPS, SNMP, SSL, TLS, DNS, ICMP, IGMP, ARP, SNTP, QoS/DSCP, IEEE 802.1X, RTSP/RTP/RTCP, TCP/IP, UDP, SMTP, FTP, PPPoE, DHCP, DDNS, NTP, UPnP, 3GPP, SAMBA, Bonjour, Google Drive, Dropbox, ONVIF Profile S
	Number of User	Max. 10 connections
	Alerting	SMTP / FTP / Samba / SD card / I/O / Google Drive / Dropbox
	Pre / Post Alarm	Pre(0,1,2,3,4,5) / Post(0,1,2,3,4,5,10)seconds
	Release for Alarm	Motion Detection / I/O / Tampering Detection / Sound Detection
Network Camera	Sensor	1/2.8" Sony STARVIS CMOS sensor
	Optical Lens	Motorized lens 2.8-12mm / optical 4.2X zoom in / F1.4
	View Angle	35~95°(H), 19~50 °(V)
	WDR	Ture WDR 120dB
	AGC	8X ~ 128X
	Shutter Time	Outdoor / Indoor / 1/30, 1/50, 1/60, 1/100, 1/125, 1/250, 1/500, 1/1000, 1/5000, 1/10000
	Min Illum	0.005 Lux (Color), 0.001 Lux (B/W)
	IR LED / Range	5pcs High Power LED / 40M
	Day / Night	Light sensor mode / Color mode(Day) / B/W mode(Night) / Times mode / Synchronize with DI input
	Intelligent Feature	ROI / Smart Stream / Double Trigger: Motion + IO / Tampering Detection / Sound Detection / Lens Distortion Correction (LDC) / Anti Fog / True WDR / Corridor Mode / Privacy Mask / 3D-De Noise / Smart IR / Cloud Backup / ANR (Automatic Network Replenishment) / Push Video Notification / P2P Optional
Audio	Audio Compression	G.711(64Kbps) / G.726(32Kbps) / G.726(24Kbps)
	Adjust Volume	Mic-in / Audio-out web adjustable
	Audio In	3.5mm stereo jack, support 2 way
	Audio Out	3.5mm stereo jack, support 2 way
Terminal	Network Interface	Ethernet (10Base-T/100Base-Tx) / PoE
	Video Interface	--
	External Port	DI x 1 / DO x 1 / Default x 1
	SD Card	Internal SD Card Slot support up to 256G, industrial SD card suggest (Recording trigger for schedule, Motion detection, IP check, Network wire break down, DI)
General	Operation Voltage	DC 12V Max: TBD / PoE Max: TBD
	Dimen./Weight	90mm(φ) x 133.5mm(H) / 2.25kgs
	Operation Temp.	-40°C ~ +70°C
	Enclosure	316L Stainless steel Housing, NEMA-4X, IP68, IP69

Dimension



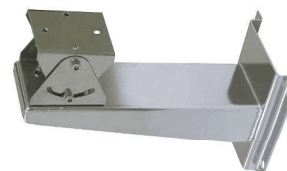
Accessories (Option):



ON-JB01S / Junction Box
SUS316L, G3/4 outlet hole x 2
260 x 160 x 230mm, 3.3kgs



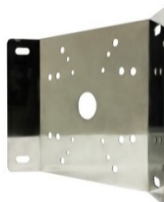
ON-PP01S / Flexible Pipe
SUS316L
1M



ON-WM01S / Wall Mount Bracket
SUS316L
150 x 312 x 305mm, 2.1kgs



ON-PO01S / Pole Mount
SUS316L, Poles 4 to 6" diameter
240 x 163 x 72mm, 1.6kgs



**ON-CA01S / Concave
Corner Mount Adaptor**
SUS316L
305 x 210 x 60mm, 1.1kgs



**ON-CA02S / Concave Corner Mount
Adaptor**
SUS316L
322 x 210 x 179mm, 2.1kgs