

Model No.: ON-N811X-2M 1080P PT IP Camera



APP: iCsee 、 Xmeye



Features :

- 2 MP 1/3" low illumination CMOS sensor; Advanced 28NM process with lower power consumption, higher stability, higher reliability; 1080P Resolution, the image is clear and delicate;
- HD Lens 3.6mm@F2.0:
- ICR automatically switches to achieve day and night monitoring; Automatic electronic shutter to adapt to different monitoring environments; Infrared distance: 6 high-power LED lights 8 meters ~ 15 meters; Support digital wide dynamic, 3D noise reduction;
- H.265AI video compression technology, high image quality, low bit rate; Support mobile phone remote monitoring (iOS, Android);
- Multi-browser access (IE、 Chrome、 Firefox、 Safari);
- Support information overlay (such as ID, IP, DDNS information, etc.); Supporting WEB, CMS, VMS, MYEYE, cloud services;
- Supports interfacing with HVR/NVR and supports the standard Onvif protocol.

Application scenario :

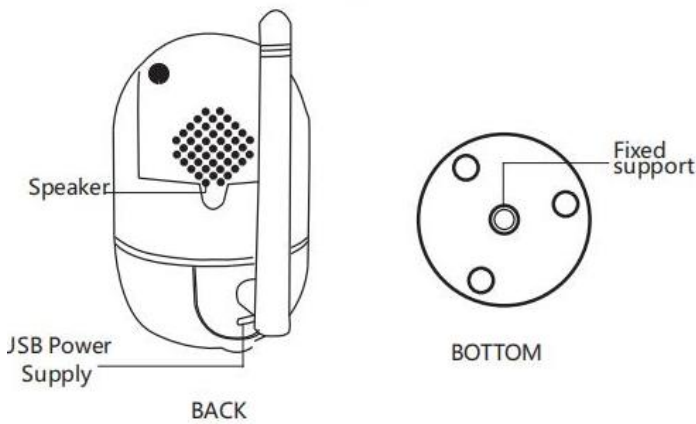
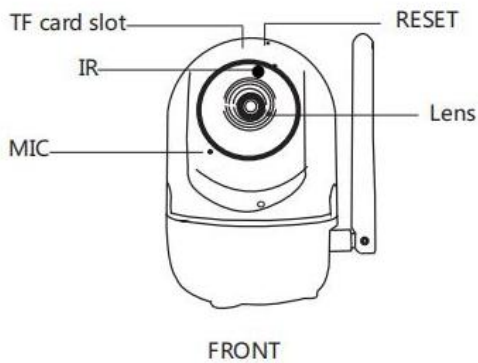
Suitable for roads, warehouses, underground parking lots, bars, pipelines, parks
A place where the light is dark or unlit and requires high definition quality

Camera	Model No.	ON-N811X-2M	
	Sensor	1080P 1/3" Low illumination CMOS sensor	
	Low illumination	Color:	0.01Lux @(F1.2,AGC ON); 0 Lux with IR
		B/W:	0.001 Lux @ (F1.2,AGC ON),0 Lux with IR
	shutter	1/50(1/60)s to 1/10,000s	
	Lens	HD Lens 3.6mm@F2.0	
	Lens interface type	M12	
Day Night	Support IR-CUT		
Image	Max. Size	1280*1080	
	FPS	PAL: 1080P@25fp	
		NTSC: 1080P@30fps	
Settings	Saturation, brightness, contrast adjustable through the client or browser		
Compression standard	Standard	H.264X/H2.65AI Video coding compression	
	output bit rate	0.1Mbps-4Mbps	
	Audio compression standard	G711a	
Network features	Storage function	Network Storage; Support SD Card Max.128g 32GB could record around 1 week.	
	Intelligent alarm	Motion detection, video loss, network cable break, IP address conflict	
	Protocol	Wi-Fi wireless transmission (supports IEEE802.11b/g wireless protocol)	
	General function	Anti-flicker, dual stream, heartbeat, password protection	
	Audio I/O	Built-in speaker	
General	Operating temperature	-10°C- + 60°C	
	Working humidity	10%-90% RH	
	Power	DC5V±10%	
	Infrared distance	6 LED lights "IR1": 8-15 meters;	
	Infrared distance		
	Power consumption	MAX 3W	
	Protection level	N/A	
Net Weight	Around 310g		
Size			

Photo :



Interface



Operation

1. Download APP

Tips one: Scan QR code.



iCSee

Tips two :Search "iCSee" in the App store or Googleplay and download.

2. Power on

Install TF Card ,Then power on.

