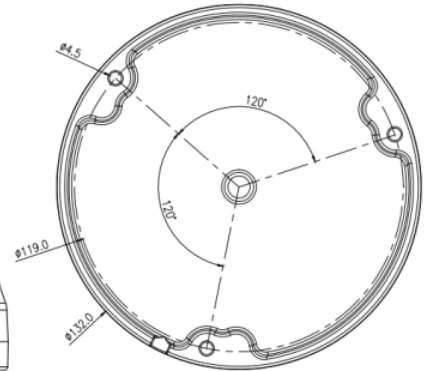
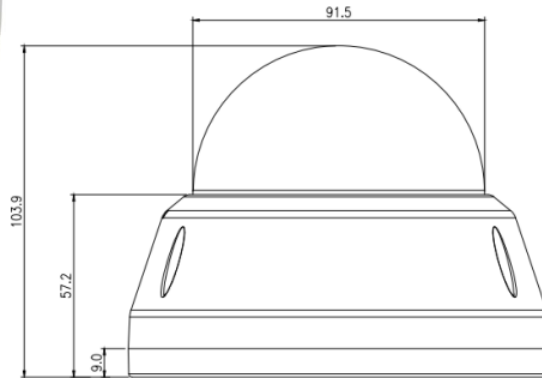




**Model: ON-595GAHBB59A**

## 5MP Motorized Real time Vandal-proof Dome POE IP Camera



### Features:

- ❖ 1/2.8" Sony IMX335 CMOS sensor
- ❖ Full HD resolution 2592 x 1944P
- ❖ Ultra low illumination 0.01Lux
- ❖ Day/Night (ICR), AWB, AGC, BLC, 2D/3D-DNR, IR-CUT
- ❖ D-WDR, Motion Detection, Privacy Mask, Mirror
- ❖ RTSP and Onvif 17.06 compatible
- ❖ H.265/H.264 dual-stream media server
- ❖ Easy-to-use P2P Cloud service
- ❖ Multi web browser, PC Client, mobile APP remote access
- ❖ Optional customization Lens/Audio/Alarm/Storage/POE, etc.
- ❖ Lightning protection 4000V
- ❖ 4pcs Array IR LEDs, IR distance 40 meters
- ❖ 2.8-12 mm motorized lens

## Technical Specifications:

<b>Model</b>	<b>ON-595GAHBB59A</b>
<b>Camera</b>	
Image Sensor	1/2.8" SONY IMX335 CMOS
Effective Pixels	2592 (H) × 1944 (V)
Electronic Shutter	AUTO, 1/25s ~ 1/100000s
Min. Illumination	0.01Lux@F1.2(AGC ON), 0Lux IR on
Day/Night	Auto/Color/(B/W)/Timing
WDR	Digital WDR
White Balance	Auto/Indoor/Outdoor
BLC	Support
DNR	2D/3D DNR
Other	Motion Detection, Privacy Mask, Mirror, flip
<b>Encode</b>	
Embedded Solution	Mstar 328Q
Video Standard	H.264/H.265
Video Resolution	Main Stream:30fps@ 5MP(2592*1944) , 30fps@ 4MP(2592*1520) Sub Stream: D1/VGA(640x480)/360P/QVGA@30fps
Video Bitrates	32Kbps - 8Mbps, VBR/CBR
Audio Standard	G.711-u/G.711-a
OSD Overlay	Title and Time overlay
<b>IR Led</b>	
IR Led	4 pcs array Leds
IR Distance	40 M
<b>Lens</b>	
Focal length	2.8-12 mm motorized lens
<b>Optional Function</b>	
Audio, etc.	
<b>Network Services</b>	
Protocol	HTTP/RTSP/FTP/NFS/SMTP/DHCP/NTP, etc.
P2P	Yes
Web	IE , Firefox, etc.
Media	CMS, Android, IOS
ONVIF	17.06 compatible
<b>General</b>	
Network Port	1-RJ45, 100Mbps, POE
Power Supply	12 VDC ± 10%
Power Consumption	< 8 W
Operating Temp.	-30°C-(+60)°C , 10%-90%RH