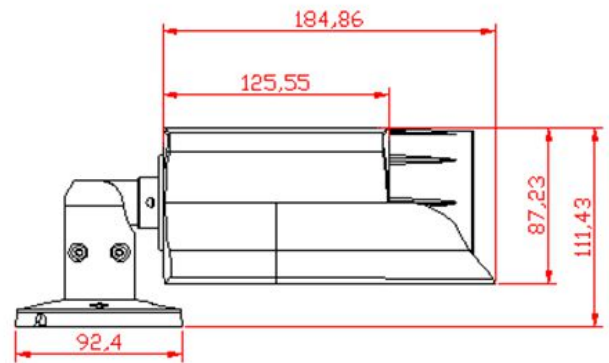
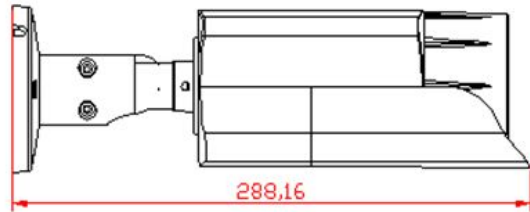




Model: **ON-595GAHZ86A-10X**

5MP Motorized Real time Bullet POE IP Camera



Features:

- ❖ 1/2.8" Sony IMX335 CMOS sensor
- ❖ Full HD resolution 2592 x 1944P
- ❖ Ultra low illumination 0.01Lux
- ❖ Day/Night (ICR), AWB, AGC, BLC, 2D/3D-DNR, IR-CUT
- ❖ D-WDR, Motion Detection, Privacy Mask, Mirror
- ❖ RTSP and Onvif 17.06 compatible
- ❖ H.265/H.264 dual-stream media server
- ❖ Easy-to-use P2P Cloud service
- ❖ Multi web browser, PC Client, mobile APP remote access
- ❖ Optional customization Lens/Audio/Alarm/Storage/POE, etc.

- ❖ Lightning protection 4000V
- ❖ 4pcs array IR Leds, IR distance 80 meters
- ❖ HD 5-50 mm motorized lens

Technical Specifications:

Model	ON-595GAHZ86A-10X
Camera	
Image Sensor	1/2.8" SONY IMX335 CMOS
Effective Pixels	2592 (H) × 1944 (V)
Electronic Shutter	AUTO, 1/25s ~ 1/100000s
Min. Illumination	0.01Lux@F1.2(AGC ON), 0Lux IR on
Day/Night	Auto/Color/(B/W)/Timing
WDR	Digital WDR
White Balance	Auto/Indoor/Outdoor
BLC	Support
DNR	2D/3D DNR
Other	Motion Detection, Privacy Mask, Mirror, flip
Encode	
Embedded Solution	Mstar 328Q
Video Standard	H.264/H.265
Video Resolution	Main Stream:30fps@ 5MP(2592*1944) , 30fps@ 4MP(2592*1520) Sub Stream: D1/VGA(640x480)/360P/QVGA@30fps
Video Bitrates	32Kbps - 8Mbps, VBR/CBR
Audio Standard	G.711-u/G.711-a
OSD Overlay	Title and Time overlay
IR Led	
IR Led	4pcs array Leds
IR Distance	80 M
Lens	
Focal length	HD 5-50 mm motorized lens
Optional Function	
Audio, etc.	
Network Services	
Protocol	HTTP/RTSP/FTP/NFS/SMTP/DHCP/NTP, etc.
P2P	Yes
Web	IE , Firefox, etc.
Media	CMS, Android, IOS
ONVIF	17.06 compatible
General	
Network Port	1-RJ45, 100Mbps, POE
Power Supply	12 VDC ± 10%
Power Consumption	< 8 W
Operating Temp.	-30°C -(+60)°C , 10%-90%RH