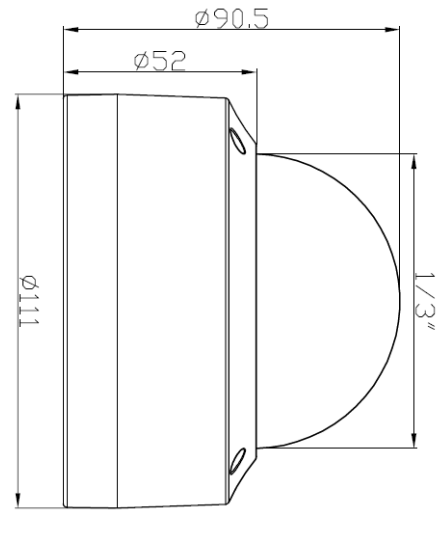
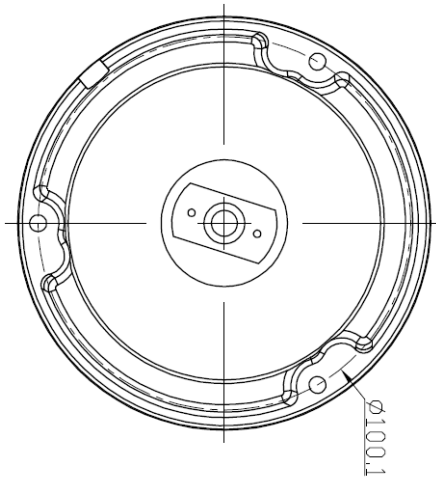




Model: ON-608FAHBB54A

4K 8MP Fixed POE Vandal proof Dome IP Camera



Features:

- 1/2.8" Sony CMOS sensor
- 4K resolution 3840 x 2160P
- Low illumination 0.01Lux
- Day/Night, AWB/MWB,BLC, HLC, 2D/3D-DNR,Shutter, IR-CUT
- D-WDR,Mirror, rotate, Defogging
- Multiply Style OSD Overlay,Motion Detection, Privacy Mask
- RTSP and Onvif 17.06 compatible with many third-party NVR
- H.264/H.265 dual-stream media server
- Easy-to-use P2P Cloud service
- Support user authentication, video data encryption
- Support Alarm Snapshot to Email and FTP
- Multiply WEB browser IE,Firefox 32bit ESR, PC Client, Mobile APP remote access
- RJ45 100mbps network port, IEEE802.3af PoE
- Lightning protection 4000V

- Strong water-proof housing, IP66
- 18 pcs SMD Array IR Leds, IR distance 30 meters
- HD 3.6 mm fixed lens
- Support Human and Vehicle Detection

Technical Specifications:

Model	ON-608FAHBB54A
Camera	
Image Sensor	1/2.8" Sony CMOS
Effective Pixels	8 megapixels
Electronic Shutter	AUTO, 1/25s ~ 1/100000s
Min. Illumination	0.01Lux@F1.2(AGC ON), 0Lux IR on
Day/Night	Auto/Color/(B/W)/Timing
WDR	Digital WDR
White Balance	Auto/Manual
BLC /HLC	Support
DNR	2D/3D DNR
Other	AGC,Motion Detection,Privacy Mask,Flip,Rotate,RIO,OSD overlay
Encode	
Video Standard	H.264/H.265
Video Resolution	MainStream:20fps@8MP(3840x2160),30fps@6MP(3072x2048)/5MP(2592x1944)/4MP/3MP/1080P/720P,etc. Sub stream: 720x480/VGA(640x480)/360P/QVGA@30fps,etc.
Video Bitrates	512Kbps - 12Mbps, VBR/CBR
Audio Standard	G.711-u/G.711-a
Built-in Mic	Optional
OSD Overlay	Title and Time overlay ,custom color adjustable
IR Led	
IR Led	18 pcs SMD array IR Led
IR Distance	30 M
Lens	
Focal length	3.6 mm fixed lens
Optional Function	
PoE, Audio	
Network Services	
Protocol	HTTP/RTSP/FTP/SMTP/DHCP/NTP/NFS, etc.
P2P	Yes
Web	IE , Firefox (32bit esr), etc.
Media	CMS, Android, IOS
ONVIF	17.06 compatible
General	
Network Port	1-RJ45, 100Mbps, POE optional
Power Supply	12 VDC ± 10%
Power Consumption	< 8 W
Operating Temp.	-30°C -(+60)°C, 10%-90%RH