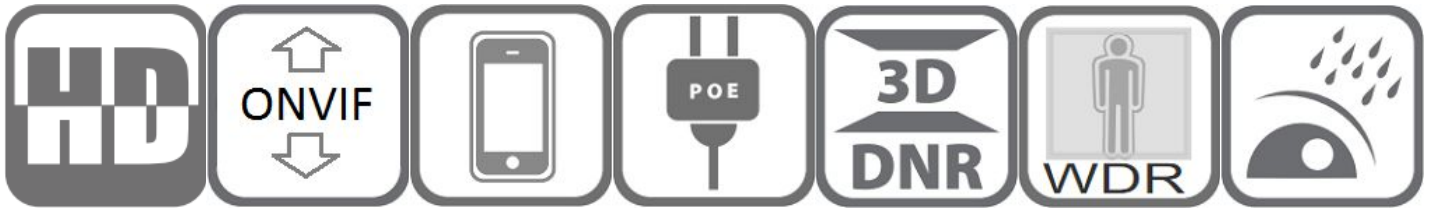
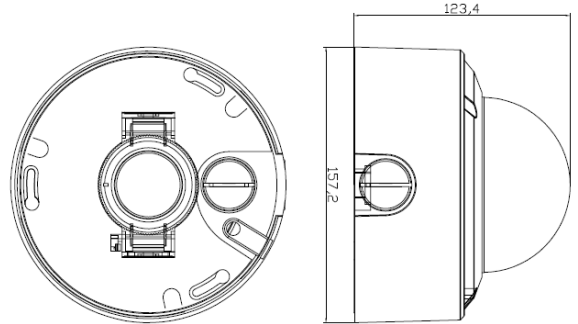




Model: **ON-705AHBB78A**

## 5MP Vari-focal Vandal-proof Dome POE IP Camera



### Features:

- ❖ 1/3" CMOS sensor
- ❖ Full HD resolution 2592 x 1944P
- ❖ Ultra low illumination 0.01Lux
- ❖ Day/Night (ICR), AWB, AGC, BLC, 2D/3D-DNR, IR-CUT
- ❖ D-WDR, Motion Detection, Privacy Mask, Mirror
- ❖ RTSP and Onvif 17.06 compatible
- ❖ H.265/H.264 dual-stream media server
- ❖ Easy-to-use P2P Cloud service
- ❖ Multi web browser, PC Client, mobile APP remote access
- ❖ Optional customization Lens/Audio/Alarm/Storage/POE, etc.
- ❖ Lightning protection 4000V
- ❖ 24pcs SMD Array IR LEDs, IR distance 40 meters
- ❖ 2.8-12 mm varifocal lens

## Technical Specifications:

|                          |  |
|--------------------------|--|
| <b>Model</b>             | <b>ON-705AHBB78A</b>   |
| <b>Camera</b>            |  |
| Image Sensor             | 1/3" CMOS  |
| Effective Pixels         | 2592 (H) × 1944 (V)  |
| Electronic Shutter       | AUTO, 1/25s ~ 1/100000s  |
| Min. Illumination        | 0.01Lux@F1.2(AGC ON), 0Lux IR on   |
| Day/Night                | Auto/Color/(B/W)/Timing  |
| WDR                      | Digital WDR  |
| White Balance            | Auto/Indoor/Outdoor  |
| BLC                      | Support  |
| DNR                      | 2D/3D DNR  |
| Other                    | Motion Detection, Privacy Mask, Mirror, flip   |
| <b>Encode</b>            |  |
| Embedded Solution        | Mstar 328Q   |
| Video Standard           | H.264/H.265  |
| Video Resolution         | Main Stream:30fps@ 5MP(2592*1944) , 30fps@ 4MP(2592*1520)<br>Sub Stream: D1/VGA(640x480)/360P/QVGA@30fps |
| Video Bitrates           | 32Kbps - 8Mbps, VBR/CBR  |
| Audio Standard           | G.711-u/G.711-a  |
| OSD Overlay              | Title and Time overlay   |
| <b>IR Led</b>            |  |
| IR Led                   | 24 pcs array Leds  |
| IR Distance              | 40 M   |
| <b>Lens</b>              |  |
| Focal length             | 2.8-12 mm varifocal lens   |
| <b>Optional Function</b> |  |
| Audio, etc.              |  |
| <b>Network Services</b>  |  |
| Protocol                 | HTTP/RTSP/FTP/NFS/SMTP/DHCP/NTP, etc.  |
| P2P                      | Yes  |
| Web                      | IE , Firefox, etc.   |
| Media                    | CMS, Android, IOS  |
| ONVIF                    | 17.06 compatible   |
| <b>General</b>           |  |
| Network Port             | 1-RJ45, 100Mbps, POE   |
| Power Supply             | 12 VDC ± 10%   |
| Power Consumption        | < 8 W  |
| Operating Temp.          | -30°C-(+60)°C , 10%-90%RH  |