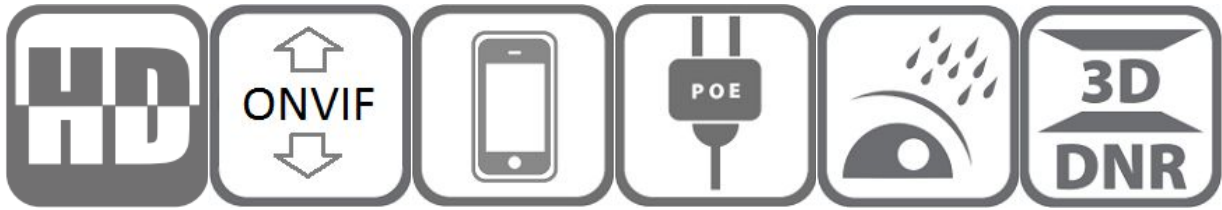
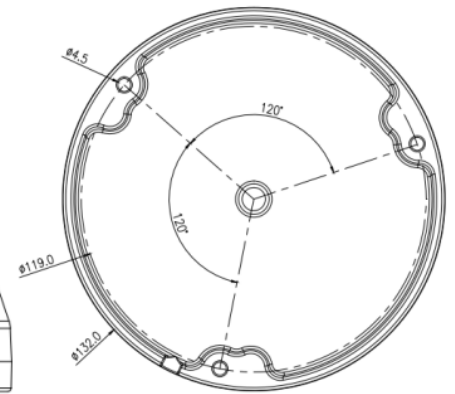
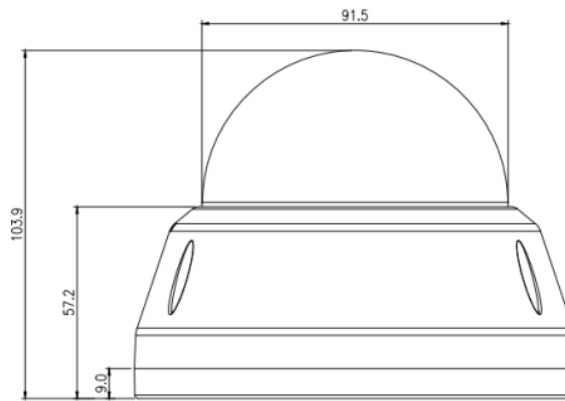




Model: ON-716AHBB59A

6MP Vandal-proof POE IP67 Dome IP Camera



Features:

- 1/2.8" Sony CMOS sensor
- Max. 6MP resolution 3072x2048
- Low illumination 0.01Lux
- Day/Night, AWB/MWB,BLC, HLC, 2D/3D-DNR,Shutter, IR-CUT
- D-WDR,Mirror, rotate, Defogging
- Multiply Style OSD Overlay,Motion Detection, Privacy Mask
- RTSP and Onvif 17.06 compatible with many third-party NVR
- H.264/H.265 dual-stream media server
- Easy-to-use P2P Cloud service
- Support user authentication, video data encryption
- Support Alarm Snapshot to Email and FTP
- Multiply WEB browser IE,Firefox 32bit ESR, PC Client, Mobile APP remote access
- RJ45 100mbps network port, IEEE802.3af PoE
- Lightning protection 4000V
- Strong water-proof housing, IP66
- 4pcs Array IR Led, IR distance: 40M
- HD 2.8-12 mm varifocal lens

- Support Human body detection, vehicle detection

Technical Specifications:

Model	ON-716AHBB59A
Camera	
Image Sensor	1/2.8" Sony IMX335 CMOS
Effective Pixels	3072x2048
Electronic Shutter	AUTO, 1/25s ~ 1/100000s
Min. Illumination	0.01Lux@F1.2(AGC ON), 0Lux IR on
Day/Night	Auto/Color/(B/W)/Timing
WDR	Digital WDR
White Balance	Auto/Manual
BLC /HLC	Support
DNR	2D/3D DNR
Other	AGC, Motion Detection, Privacy Mask, Flip , OSD overlay
Encode	
Video Standard	H.264/H.265
Video Resolution	Main Stream: 25fps@6MP(3072x2048)/5MP(2592x1944), 30fps@4MP/3MP/1080P/720P Sub stream: 30fps@D1/VGA/360P/CIF, etc.
Video Bitrates	512Kbps - 8Mbps, VBR/CBR
Audio Standard	G.711-u/G.711-a
Built-in Mic	Optional
OSD Overlay	Title and Time overlay
IR Led	
IR Led	4 pcs Array IR Led
IR Distance	40M
Lens	
Focal length	2.8-12 mm varifocal lens
Optional Function	
Built in audio	
Network Services	
Smart Event	Motion detection Human detection Vehicle detection
Protocol	HTTP/RTSP/FTP/SMTP/DHCP/NTP/NFS, etc.
P2P	Yes
Web	IE , Firefox (32bit esr), etc.
Media	CMS, Android, IOS
ONVIF	17.06 compatible
General	
Network Port	1-RJ45, 100Mbps, POE optional
Power Supply	12 VDC ± 10%
Power Consumption	< 8 W
Operating Temp.	-30℃-(+60)℃, 10%-90%RH