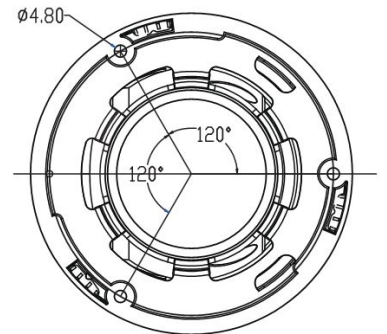
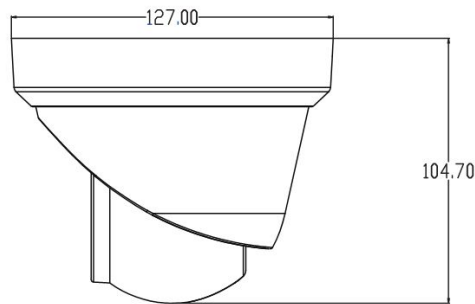




Model: **ON-716CB97KA**

6MP ColorVu Fixed Turret Dome IP Camera with 2 way audio



Features:

- ❖ 6 MP ColorVu 7/24 hours Colorful View POE Waterproof Dome Turret IP camera
- ❖ 1/2.8" Sony IMX335 CMOS sensor
- ❖ Full HD resolution 3072 x 2048P
- ❖ Ultra low illumination 0.001Lux
- ❖ Day/Night (ICR), AWB, AGC, BLC, 2D/3D-DNR, IR-CUT
- ❖ D-WDR, Motion Detection, Privacy Mask, Mirror
- ❖ RTSP and Onvif 17.06 compatible
- ❖ H.265/H.264 dual-stream media server
- ❖ Easy-to-use P2P Cloud service
- ❖ Multi web browser, PC Client, mobile APP remote access
- ❖ Internal Microphone, reset button optional
- ❖ Lightning protection 4000V
- ❖ RJ45 100mbps network port, IEEE802.3af PoE
- ❖ Strong water-proof housing, IP67
- ❖ 2PCS Soft & Warm Supplemental Light, Light distance: 25-30M
- ❖ HD 2.8mm F1.0 true starlight lens
- ❖ Two way audio: Built-in Mic and speaker
- ❖ SD slot, max support 256GB TF card
- ❖ Reset button

Technical Specifications:

Model	ON-716CB97KA
Camera	
Image Sensor	1/2.8" Sony CMOS
Effective Pixels	3072(H)×2048 (V)
Electronic Shutter	AUTO, 1/25s ~ 1/100000s
Min. Illumination	0.01Lux@F1.2(AGC ON), 0Lux IR on
Day/Night	Auto/Color/(B/W)/Timing
WDR	Digital WDR
White Balance	Auto/Manual
AGC/BLC/HLC	Support
DNR	2D/3D DNR
Other	Multi-lines OSD, Motion Detection, Privacy Mask, Mirror
Encode	
Video Standard	H.264/H.265
Video Resolution	Main Stream: 25fps@6MP(3072*2048)/5MP(2592x1944), 30fps@4MP/3MP/1080P/720P Sub stream: 30fps@D1/VGA/360P/CIF, etc.
Video Bitrates	64Kbps - 8Mbps, VBR/CBR
Audio Standard	G.711-u/G.711-a/AAC
Audio	Two way (Mic and Speaker)
Smart Event	Human Detection Vehicle Detection Motion Detection
IR Led	
IR Led	2PCS Soft & Warm Supplemental Light
IR Distance	20-30 M
Lens	
Focal length	HD 2.8mm F1.0 true starlight lens
Other Function	
Reset button, SD slot(support max 256GB)	
Network Services	
Protocol	HTTP(S)/RTSP/RTMP/FTP/NFS/SNMP/DHCP/NTP, etc.
P2P	Yes
Web	IE , Firefox 32bit ESR, etc.
Media	CMS, Android, IOS
ONVIF	17.06 compatible
General	
Network Port	1-RJ45, 100Mbps, POE
Power Supply	12 VDC ± 10%
POE	IEEE802.3af PoE
Power Consumption	< 5 W
Operating Temp.	-30℃-(+60)℃, 10%-90%RH