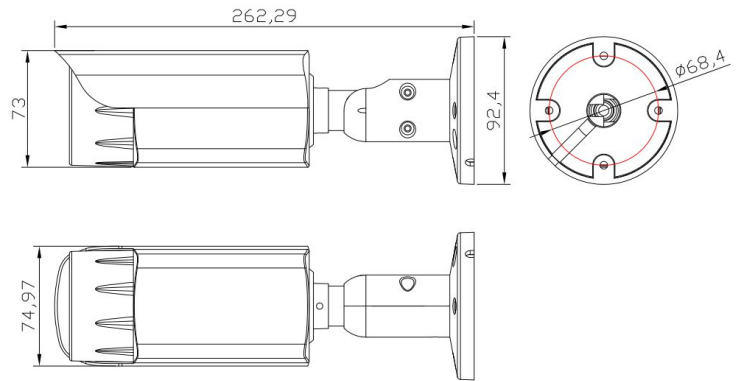




Model: **ON-A612FAHZ56EA**

2.1 MP 1080P 4 IN 1 Bullet Camera



Features:

- ❖ 4-in-1 HDCVI / HDTVII/AHD / CVBS optional output
- ❖ Full HD resolution 1920 x 1080P with Sony CMOS sensor
- ❖ Ultra low illumination 0.001Lux
- ❖ Up to 300M long distance and high speed real time monitoring
- ❖ OSD menu control up the coaxial cable (UTC)
- ❖ AWB, AGC, BLC, 2D/3D-DNR
- ❖ D-WDR, Slow-Shutter, Sens up, Defog
- ❖ Motion Detection, Privacy Mask, Mirror
- ❖ Lightning protection
- ❖ Strong water-proof housing, IP66
- ❖ 2.8-12 mm Varifocals Lens

Technical Specifications:

Model	ON-A612FAHZ56EA
Camera	
Image Sensor	1/2.8" 2.1 Mega pixels Sony CMOS
Chipset	IMX307+NVP2441H
Effective Pixels	1945(H)×1097 (V)
Video Resolution	1080P@25/30fps
Electronic Shutter	AUTO, 1/25 - 1/50,000s
Min. Illumination	0.001Lux@F1.2(AGC ON), 0Lux IR on
Video System	PAL/NTSC
Video Output	1 -BNC, HDCVI / HDTVII/AHD/CVBS , adjustable
Video Switch	DIP Switch
Day/Night	Color
WDR	Digital WDR
White Balance	AWB/ATW/Indoor/Outdoor/Manual
AGC/BLC	Support
DNR	2D 3D NR
OSD Menu	Multiple languages OSD menu control up the coaxial cable (UTC)
Other	Sens-up,Defog, Motion, Privacy Mask, Mirror, Flip
Lens	
Focal length	2.8-12 mm
General	
IR LED	20pcs SMD Array IR Led
IR Distance	30-40m
Power Supply	12 VDC ± 10%
Power Consumption	< 5 W
Operating Temp.	-20℃-(+60)℃, 10%-90%RH