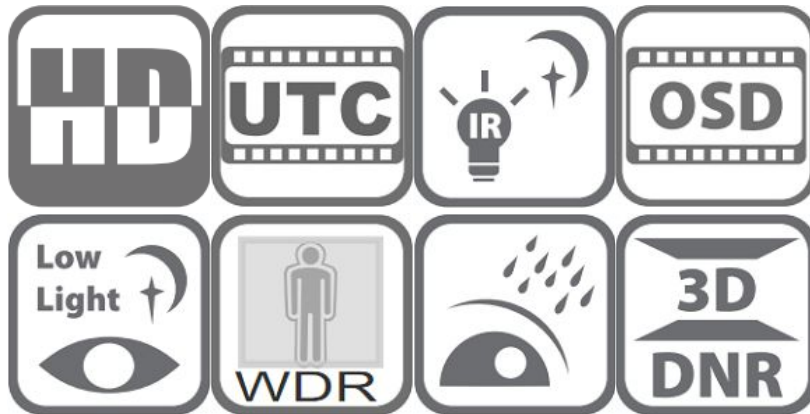
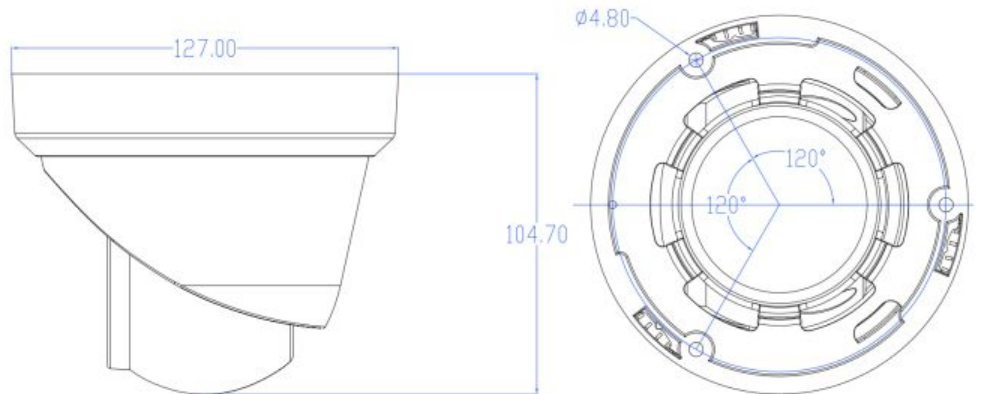




Model: ON-A852AHBB97A

2.1 MP 1080P 4in1 IR Dome WDR Camera



Features:

- ❖ 4-in-1 HDCVI / HDTV/ AHD / CVBS optional output
- ❖ Full HD resolution 1920 x 1080P with Aptina CMOS sensor
- ❖ Ultra low illumination 0.01Lux
- ❖ Up to 300M long distance and high speed real time monitoring
- ❖ OSD menu control up the coaxial cable (UTC)
- ❖ Low light and high dynamic range
- ❖ Day/Night (ICR), AWB, AGC, BLC, 2D/3D-DNR
- ❖ WDR (120dB), Slow-Shutter, Smart IR, Sens up, Defog
- ❖ Motion Detection, Privacy Mask, Mirror
- ❖ Lightning protection
- ❖ Strong water-proof housing, IP66
- ❖ 3.6 mm MP Fix lens
- ❖ 18PCS SMD Array LEDs, 30M IR Distance

Technical Specifications:

Model	ON-A852AHBB97A
Camera	
Image Sensor	1/2.8" 2.1 Mega pixels Sony CMOS
Chipset	IMX307+NVP2540H
Effective Pixels	1945(H)×1097 (V)
Video Resolution	1080P@25/30fps
Electronic Shutter	AUTO, 1/50 - 1/50,000s
Min. Illumination	0.001Lux@F1.2(AGC ON), 0Lux IR on
Video System	PAL/NTSC
Video Output	1 channel, HDCVI / HDTV/ AHD/ CVBS , adjustable
Video Switch	OSD keys
Day/Night	Auto/Color/(B/W)/EXT
WDR	120dB (Multiple exposure WDR and Digital overlap WDR)
White Balance	AWB/ATW/Indoor/Outdoor/Manual
AGC/BLC/HLC	Support
DNR	2D 3D NR
OSD Menu	Multiple languages OSD menu control up the coaxial cable (UTC)
Other	Sens-up, Defog, Motion, Privacy Mask, Mirror, Flip
IR Led	
IR Led	18pcs SMD Array IR Led
IR Distance	30m
Lens	
Focal length	3.6 / 6 mm fixed lens
General	
Power Supply	12 VDC ± 10%
Power Consumption	< 5 W
Operating Temp.	-20°C-(+60)°C, 10%-90%RH