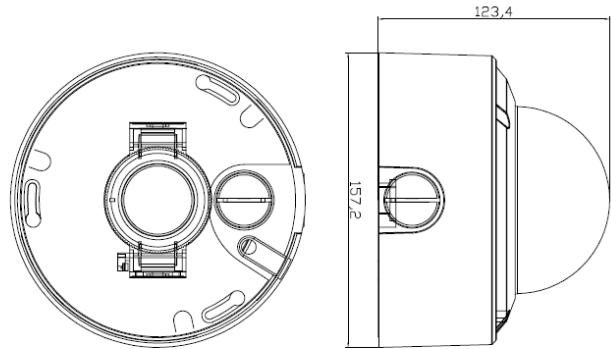




Model: **ON-A955AHBB78A**

5 MP 4in1 IR Dome Camera



Features:

- ❖ 4-in-1 HDTV/HD/SD / AHD / CVBS optional output
- ❖ UHD resolution 2560×1944P CMOS sensor
- ❖ Ultra low illumination 0.01Lux
- ❖ Up to 300M long distance and high speed real time monitoring
- ❖ OSD menu control up the coaxial cable (UTC)
- ❖ Low light and perfect night vision
- ❖ Day/Night (ICR), AWB, AGC, DNR
- ❖ Lightning protection
- ❖ Strong water-proof housing, IP66
- ❖ 24 pcs New IR Leds, IR distance 40 meters
- ❖ 2.8-12mm Varifocal Lens

Technical Specifications:

Model	ON-A955AHBB78A
Camera	
Image Sensor	1/2.8" 5 Mega pixels Sony IMX335 CMOS
Chipset	IMX335+FH8538M
Effective Pixels	2560(H)×1944 (V)
Video Resolution	AHD/TVI 20 fps@5MP(2560×1944P), AHD/TVI/CVI 30 fps@4MP(2560×1440P), adjustable
Electronic Shutter	AUTO, 1/25 - 1/50,000s
Min. Illumination	0.01Lux@F1.2(AGC ON), 0Lux IR on
Video System	PAL/NTSC
Video Output	1 channel, HDCVI / HDTV/ AHD/ CVBS , adjustable
Video Switch	DIP switch
Day/Night	Auto/Color/(B/W)/EXT
White Balance	ATW/Manual
DNR	2D NR
OSD Menu	Multiple languages OSD menu control up the coaxial cable (UTC)
Other	
IR Led	
IR Led	24 pcs 850nm SMD IR Leds
IR Distance	40 M
Lens	
Focal length	2.8-12mm Varifocal Lens
General	
Power Supply	12 VDC ± 10%
Power Consumption	< 5 W
Operating Temp.	-20°C -(+60)°C, 10%-90%RH