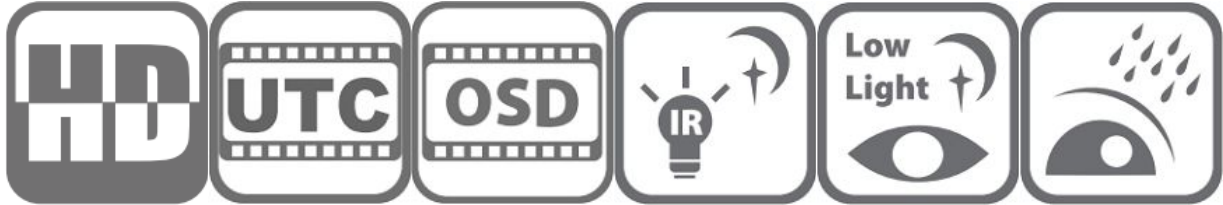
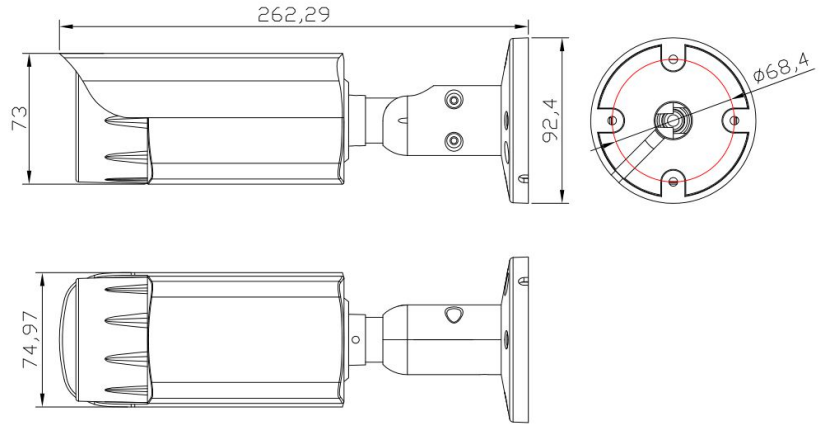




Model: ON-A955AHZ56EA

5 MP 4in1 IR Bullet Camera



Features:

- ❖ 4-in-1 HDTV/HDCVI /AHD / CVBS optional output
- ❖ UHD resolution 2560×1944P CMOS sensor
- ❖ Ultra low illumination 0.01Lux
- ❖ Up to 300M long distance and high speed real time monitoring
- ❖ OSD menu control up the coaxial cable (UTC)
- ❖ Low light and perfect night vision
- ❖ Day/Night (ICR), AWB, AGC, DNR
- ❖ Lightning protection
- ❖ Strong water-proof housing, IP66
- ❖ 20pcs SMD IR LEDs, 40M IR distance
- ❖ 2.8-12 mm Varifocals Lens

Technical Specifications:

Model	ON-A955AHZ56EA
Camera	
Image Sensor	1/2.8" 5 Mega pixels Sony IMX335 CMOS
Chipset	IMX335+FH8538M
Effective Pixels	2560(H)×1944 (V)
Video Resolution	AHD/TVI 20 fps@2560×1944P, CVI 30 fps@2560×1440P, adjustable
Electronic Shutter	AUTO, 1/25 - 1/50,000s
Min. Illumination	0.01Lux@F1.2(AGC ON), 0Lux IR on
Video System	PAL/NTSC
Video Output	1 channel, HDCVI / HDTV/ AHD/ CVBS , adjustable
Video Switch	DIP switch
Day/Night	Auto/Color/(B/W)/EXT
White Balance	ATW/Manual
DNR	2D NR
OSD Menu	Multiple languages OSD menu control up the coaxial cable (UTC)
Other	
IR Led	
IR Led	20pcs SMD Array IR Led
IR Distance	30-40m
Lens	
Focal length	2.8-12 mm varifocals lens
General	
Power Supply	12 VDC ± 10%
Power Consumption	< 5 W
Operating Temp.	-20°C -(+60)°C, 10%-90%RH