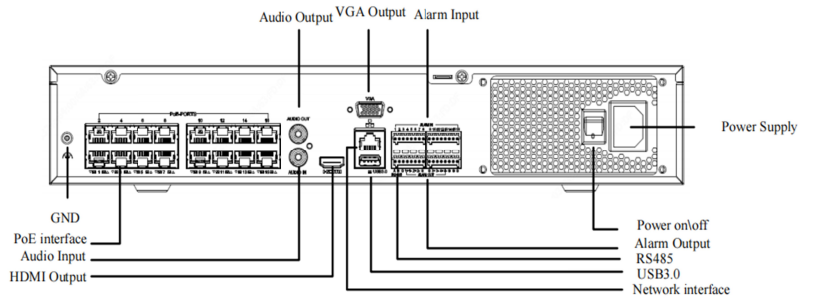




**Model NO.: ON-N3432-P16-V2**

**H.265 32CH 4K/8MP POE NVR with 4pcs SATA**

**APP:Guard Viewer**



## Key Features

- Support Ultra 265/H.265/H.264 video formats
- 32-channel input
- Third-party IP cameras supported with ONVIF conformance: Profile S, Profile G, Profile T
- VGA and HDMI independent outputs provided
- Up to 8 Megapixels resolution recording
- 4 SATA HDDs, Up to 10TB for each HDD
- Various fisheye dewarping modes for live view and playback for both web interface and GUI
- Support for 12V Power output
- Plug & Play with up to 16 independent PoE network interfaces
- ANR technology to enhance the storage reliability when the network is disconnected
- Support cloud upgrade
- APP: Guard Viewer

## Specifications

<b>Model</b>	<b>ON-N3432-P16-V2</b>
<b>Video/Audio Input</b>	
IP Video Input	32-ch
Two-way Audio Input	1-ch, RCA

Network	
Incoming Bandwidth	160Mbps
Outgoing Bandwidth	64Mbps
Remote Users	128
Protocols	P2P, UPnP, NTP, DHCP, PPPoE
Video/Audio Output	
HDMI/VGA output	HDMI: 4K (3840x2160@30), 1920X1080@60, 1920X1080@50, 1600X1200@60, 1280X1024@60, 1280X720@60, 1024X768@60 VGA: 1920X1080@60, 1920X1080@50, 1280X1024@60, 1280X720@60, 1024X768@60
Recording Resolution	8MP/6MP/5MP/4MP/3MP/1080p/960p/720p/D1/2CIF/CIF
Audio Output	1-ch, RCA
Synchronous Playback	32-ch
Corridor Mode Screen	3/4/5/7/9/10/12/16/32
Decoding	
Decoding format	Ultra 265, H.265, H.264
Live view/Playback	8MP/6MP/5MP/4MP/3MP/1080p/960p/720p/D1/2CIF/CIF
Capability	2 x 4K@30, 4x 4MP@30, 5 x 3MP@30, 8 x 1080P@30, 16 x 720P@30, 32 x D1@30
Hard Disk	
SATA	4 SATA interfaces
Capacity	up to 10TB for each HDD
External Interface	
Network Interface	1 RJ45 10M/100M/1000M self-adaptive Ethernet Interface
Serial Interface	1 x RS485
USB Interface	Front panel: 2 x USB2.0 Rear panel: 1 x USB3.0
Alarm In	16-ch
Alarm Out	4-ch
Power Output	12 VDC
PoE	
Interface	16 independent 100 Mbps PoE network interfaces
Max Power	Max 30W for single port Max 240W in total ( 12.5W for each )
Supported Standard	IEEE 802.3af/at
General	
Power Supply	100 ~ 240 VAC Power Consumption: ≤ 20 W( without HDD )

Working Environment	-10°C ~ + 55°C ( +14°F ~ +131°F ), Humidity ≤ 90% RH(non-condensing)
Dimensions(W×D×H)	400 mm× 362mm×74mm (17.4" × 16.7"×3.4" )
Weight ( without HDD )	≤ 5 Kg ( 11.02 lb )