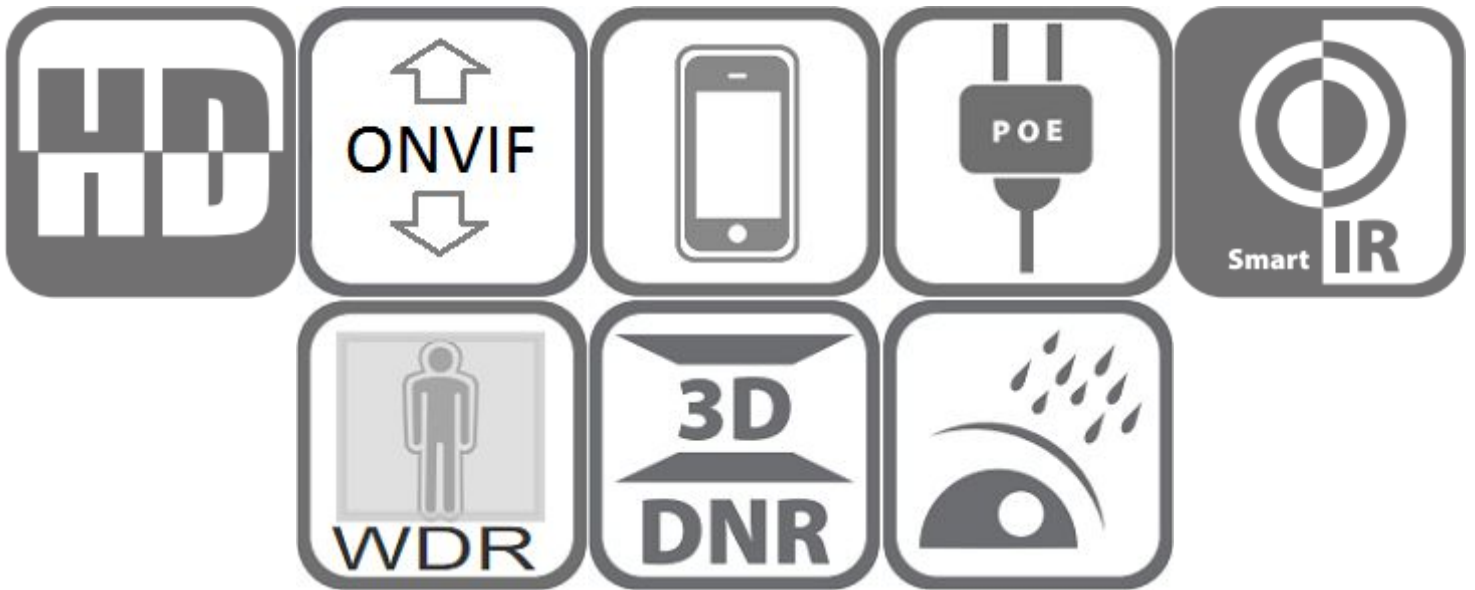
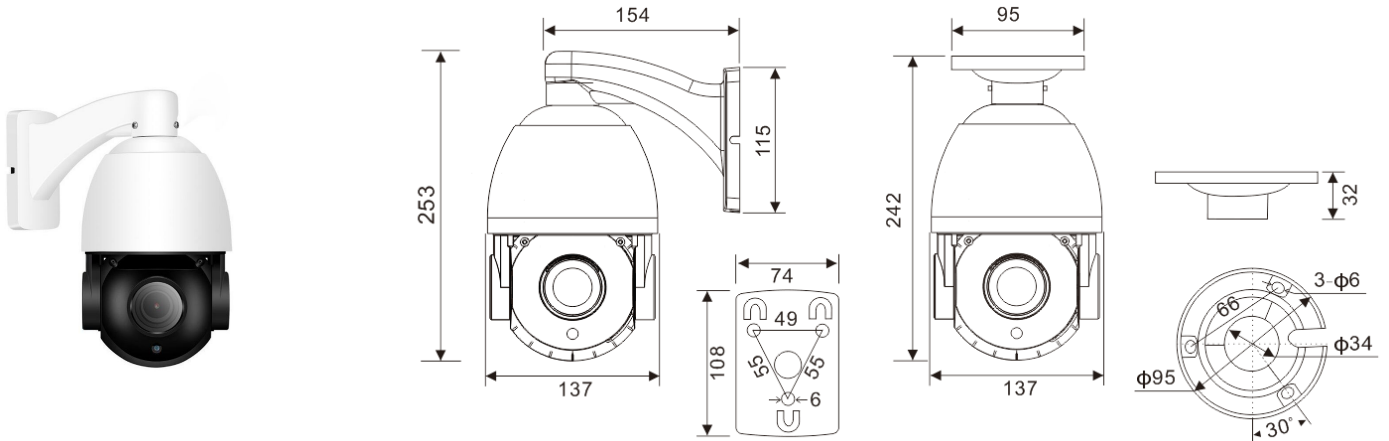




Model: **ON-PTZ716IR-V2-20X**

6MP Auto Tracking human body and Vehicle Detection IR IP PTZ camera



Features:

- 1/2.8" Sony CMOS sensor
- 6MP resolution 3072 x 2048P
- Low illumination 0.01Lux
- 20x optical zoom
- Smart Human and Vehicle Detection
- Smart Human Auto Tracking
- Built-in Mic
- Day/Night, AWB/MWB, BLC, HLC, 2D/3D-DNR, Shutter, IR-CUT
- D-WDR, Flip, Defogging

- Multiply Style OSD Overlay, Motion Detection, Privacy Mask
- RTSP and Onvif 17.06 compatible with many third-party NVR
- H.264/H.265 dual-stream media server
- Easy-to-use P2P Cloud service
- Support user authentication, video data encryption
- Support Alarm Snapshot to Email and FTP
- Multiply WEB browser IE,Firefox,Chrome,Edge,Safari
- Free PC Client, Mobile APP remote access
- RJ45 100mbps network port, IEEE802.3af 48v PoE
- Lightning protection 4000V
- Strong metal water-proof housing, IP66
- 8 pcs Array IR Led
- IR distance 100 meters

Technical Specifications:

Model	ON-PTZ716IR-V2-20X
Camera	
Image Sensor	1/2.8" Sony CMOS
Effective Pixels	6MP@3072*2048
Electronic Shutter	AUTO, 1/10s ~ 1/100000s
Min. Illumination	0.01Lux@F1.2(AGC ON)
Day/Night	Auto/Color/(B/W)/Timing
WDR	Digital WDR
White Balance	Auto/Manual
BLC /HLC	Support
DNR	2D/3D DNR
Other	Image adjust , Flip
Encode	
Video Standard	H.264/H.265/Mjpeg
Video Resolution	Main Stream:25fps@6MP(3072x2048)/5MP(2592x1944), 30fps@4MP/3MP/1080P/720P Sub stream: 30fps@D1/VGA/360P/CIF, etc.
Video Bitrates	512Kbps - 8Mbps, VBR/CBR
Audio Standard	G.711-u/G.711-a/AAC
Audio	Built-in Mic

Smart Detection	Smart Human body and Vehicle Detection,support Auto tracking
IR Led	
IR Led	8pcs IR Array Leds
IR Distance	100M
Lens	
Focal length	4.7-94mm
IRIS	F1.6-3.5
View angle	64 - 2.9 °
Zoom	20x optical zoom
Functions	
High power PoE, built in Microphone	
PTZ	
Pan/Tilt Range	Pan: 0° ~ 360°; Tilt: -5° ~ 90°
Preset Point	256
Control Speed	Pan: 0.5° ~25° /s; Tilt: 0.5° ~25° /s
A-B Scanning	Support
Auto Cruising	Support 8 groups patrol, Max. 16 presets in group
Power on Action	Preset/Scan/Cruise
Power-off Recovery	Support
Cruise tracking	presets Cruise can work together with auto human tracking
Network Services	
Protocol	HTTP/RTSP/FTP/SMTP/DHCP/NTP/NFS/RTMP, etc.
P2P	Yes
Web	IE, Firefox, Chrome, Edge, Safari
Media	CMS, Android, IOS
ONVIF	17.06 compatible
General	
Network Port	1-RJ45, 100Mbps, PoE 48V in
Power Supply	12 VDC ± 10% 2A
Power Consumption	< 22 W
Operating Temp.	-30°C-(+60)°C, 10%-90%RH