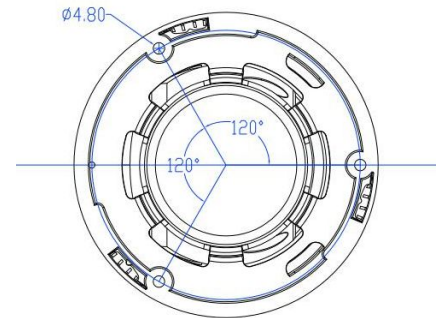
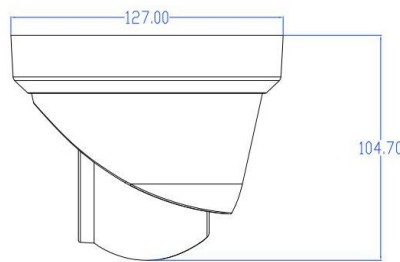




Model: ON-T828CB97BA

8MP 4 in 1 ColorVu Turret Camera



Features:

- ❖ 4-in-1 HDCVI / HDTVII/AHD / CVBS optional output
- ❖ Full HD resolution 3480H x 2160V
- ❖ Ultra low illumination 0.01Lux@(F1.2 ,AGC On)
- ❖ Up to 300M long distance and high speed real time monitoring
- ❖ OSD menu control up the coaxial cable (UTC)
- ❖ Day/Night (ICR), AWB, AGC, 2DDNR, D-WDR, Flip
- ❖ Lightning protection 6V-15V
- ❖ Strong water-proof housing, IP67
- ❖ Support AOC at TVI mode
- ❖ 2pcs soft and warm lighting Leds, distance 20-30 meters
- ❖ 2.8 mm F1.6 true starlight lens

Technical Specifications:

Model	ON-T828CB97BA
Camera	
Image Sensor	1/2.8" 8 Mega pixels CMOS
Chipset	Sony IMX415+TP3818
Effective Pixels	3840(H)×2160 (V)
Video Resolution	4K@12.5/15fps (PAL/NTSC)
Electronic Shutter	AUTO, 1/25 - 1/10,000s
Min. Illumination	0.01Lux@F1.2(AGC ON), 0Lux IR on
Video System	PAL/NTSC
Video Output	1 channel, HDCVI / HDTV/ AHD/ CVBS , adjustable
Video Switch	DIP switch
Mic	Yes (TVI Mode available)
Day/Night	Auto/Color/(B/W)/EXT
WDR	Digital WDR
White Balance	ATW/Manual
AGC/BLC	Support
DNR	2D NR
OSD Menu	Multiple languages OSD menu control up the coaxial cable (UTC)
IR Led	
IR Led	2pcs Soft and warm lighting Leds
IR Distance	20-30 M
Lens	
Focal length	2.8 mm fixed lens
General	
Power Supply	12 VDC ± 10%
Power Consumption	< 5 W
Operating Temp.	-20°C-(+60)°C, 10%-90%RH