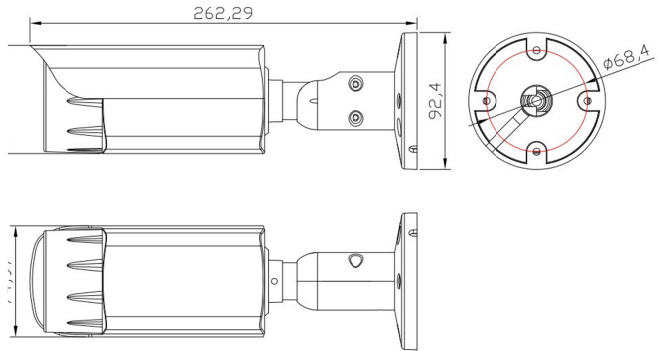




Model: **ON-T988FAHZ56EA**

8 MP 4K 4 in 1 IR Varifocal Bullet Camera



Features:

- 4-in-1 HDCVI / HDTV/ AHD/ CVBS optional output
- 4K /8MP UHD resolution OnmiVision low-light CMOS sensor
- OSD menu control over coaxial cable (UTC)
- Over 200M long distance real time monitoring
- Ultra low light and high dynamic range
- Day/Night (ICR), AWB, AGC, BLC, 3D NR, D-WDR, Defog
- Lightning protection
- Strong water-proof housing, IP66
- 20pcs SMD IR Leds, IR distance 30-40 meters
- 2.8-12mm Varifocal Lens

Specifications:

Model	ON-T988FAHZ56EA
Camera	
Image Sensor	1/1.8" 8 Mega pixels OnmiVision CMOS
Chipset	FH8556H+IMX415
Effective Pixels	3840(H)×2160 (V)
Lowest illumination	0.01Lux@ (F1.2,AGC ON) , 0 Lux with IR
Electronic Shutter	Auto, FLK
Video System	PAL/NTSC
Video Frame Rate	8MP:HDTVI/CVI/AHD:15fps@3840×2160P, CVBS:25/30fps@960H
Video Output	1 channel, HDTVI/AHD/HDCVI/CVBS optional
Video Switch	Dip Switch
Smart IR Control	Support
Day/Night	EXT/Auto(ICR) / Color / B/W
WDR	D-WDR
OSD Menu	Support, coaxial cable control via DVR directly (UTC)
Other Function	AWB, AGC, BLC,Defog
General	
Power Supply	DC12V±10%
Power Consumption	< 5W
Working Environment	-30°C~+60°C / Less than 95%RH
IR LED	20pcs SMD IR LED
IR Distance	30-40 meters
Lens	2.8-12mm VF lens
Housing	Metal
Waterproof	IP66
Transmission Distance	Over 200m via 75-3 coaxial cable