

Metal Access Controller

User Manual

Read this manual carefully before install and use

1、 Product Introduction:

- Thank you for purchasing metal standalone access controller /Card reader,This product adopts is a touching, induction card to open the door of the entrance guard all-in-one, there are many features as follow:
 - **4 options:** ID Style, IC style, non-waterproof style, waterproof style optional.
 - **All-metal case** design(Zinc alloy).**Organic glass panel** (Acrylic touch screen).
 - **8000 user capacity** for storing and reading to provide a powerful security,
 - the **high-grade built-in microprocessor** with strong anti-interference ability,high safety and reliability.
 - **Data copy and backup** to the same series of access control.
 - **Circumscribed** humanized tamper alarm function.
 - Can be used as **card reader** or standalone access controller.
 - external Wiggins dummy:**WG26/34** input and output.
 - Can set up **management cards**(Deleted card and added card)..
 - Active and passive **lock signal** output.
 - Imported double point relay output **signal port**.
 - Support three opening door: **CARD , PIN, CARD+PIN**
 - **extending function:**external memory, tamper alarm, extended voice ect.

2、 Function characteristics:

“ 0 ”	Modify programming code and set master card
“ 1 ”	Add card type user
“ 2 ”	Add password type user
“ 3 ”	Add password & card type user

" 4 "	Delete single user
" 5 "	Delete all user
" 6 "	Modify users password
" 7 "	Modify delayed open door
" 8 "	System initialization
" 9 "	Set general opening password,add and delete card
" * "	Press"*", enter"123456#" or swipe systematic Master card directly get to programming mode .

3、 technical parameters

No.	specification	parameter
1	Model number	ON-AC-86 series
2	Weight	0.5 Kg/Pcs
3	Color	silver
4	reading distance	5-10cm
5	working temperature	- 20 °C -- 70 °C
6	working humidity	0-95%
7	Static electricity	≤50mA
8	Open time	0-255 s (adjustable)
9	working voltage	DC 12 V
10	static current	50mA

4、 function setting method

4.1 the factory default Settings

The initial opening password **7890**, programming code **123456**.

4.2 quick operation Settings

Press * [Waiting for the credit card]

(1), Swipe the main card, enter the programming system state

(2), Swipe added card, enter the add user state

(3), Swipe deleted card, enter the delete user state

4.3 modify the programming code and set up the master card

A、 Press * [Programming code] [#] [0] [The new password] [#]
[The new password] [#]

Note: A beeping said succeed (password length for 1-8)

B、 Press * [Programming code] [#] [0] [swing card]

Note: A beeping said setting the main card successfully.

4.4 add card type users

Press * [Programming code] [#] [1] [Four user id] [#] [Read the card]

Note: The four user id is **random**, user id automatically add 1 when continue read card.

4.5 add password type users

Press * [Programming code] [#] [2] [Four user id] [The user password] [#]

Note: four user id (For example:1 enter 0001), the user password length for 0-8;A beeping Said add user password type user operation is successful,you can add password type user continuously with continue to input the user id.

(when opening the door,please input user id and user password end with [#])

4.6 add card + password type users

Press [#] [Programming code] [#] [3] [Four user id] [Four user code] [#]
[swiping card]

A beeping said add card + password user operation is successful, you can add card + password type user continuously with continue to input the user id.

(opening the door process: First swipe card, Second a green light flashing, Third input user password ends with [#])

4.7 delete a single user

Press * Programming code # 4 Enter the user id or credit card #

Note: It can be operated continuously in the condition of programming.

4.8 delete all users

Press * Programming code # 5 input Programming password or credit card #

Note: A beeping said delete all user operation is successful.

4.9 modify the user password

Press * Programming code # 6 Four user id 4 new password #

Note: It can be operated continuously in the condition of programming.

4.10 modify the door delay time

Press * Programming code # 7 Enter delay time #

Note: The delay time is 0-255 seconds, The default is 3 seconds.

4.11 System initialization

Press * Programming code # 8 Enter programming code or swipe master card #

Note: A beeping said initial success, that clear all Settings.

4.12 set management card (increased card & deleted card)

Press * Programming code # 9 swipe card

A, the first one is to set increased card, the second is to set deleted card.

B, this feature is convenient to increase & delete user's card.

C, press * to **active** increased card adding users or deleted card removing users

4.13 set up the general password to open the door

Press * Programming code # 9 Enter 4 password #

4.14 Exit programming

Press * to exit programming, automatically quit after 10s no operand instruction.

5、 Jumper Settings of access controller

5.1 J1 of active and passive output signal Settings:

When [1] & [2] connected , [COM] [CN] [NO] used as the switch quantity output signal,

When [2] & [3] connected, shorting circuit [COM] & [GND] as the active output signal.

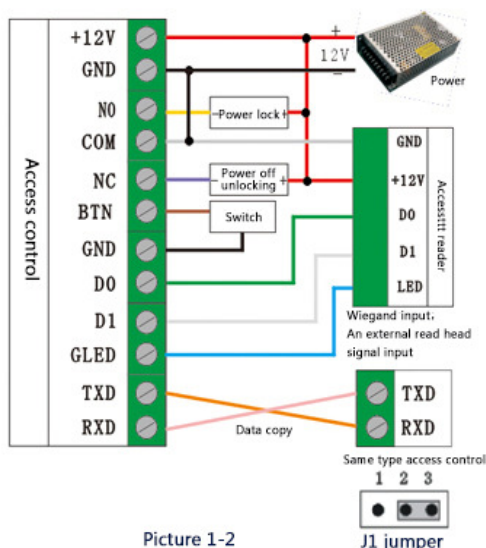
5.2 J2 RESET Settings:

Electrify the controller can initialize the programming code after short circuit J2.

6、 wiring diagram

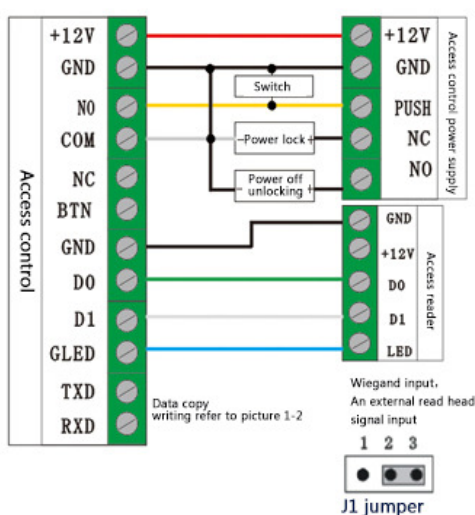
Please refer to the wiring diagram as the follow picture.

2.General power supply wiring diagra



Picture 1-2

3.special power supply wiring diagram



Picture 1-3

4.Connection description

Red	+12V	Positive power
Black	GND	Negative power
Yellow	NO	Normally open relay output
Gray	COM	Public relay port
Purple	NC	Normally closed relay output
Brown	BTN	switch
Black	GND	Negative power
Green	D0	Reading head signal-D 0
White	D1	Reading head signal-D 1
Blue	GLD	Reading head signal-LED
Orange	TXD	Data copy
Pink	RXD	Data copy

Access control jumper settings.

(1) J1: Active and passive output settings: when 1 and 2 are connected with COM, NO, NC as the switching signal output. (Note: connect the J1 1 and 2 when there is a auto-door, and then connect the COM and NO access to the port of the auto-door. (2) J2: RESET is set, after short circuit J2 power, you can initialize the programming code. (Note: the initialization will not clear the personnel data).

Data copy operation:

Cross connecting the main access of TXD and RXD to the same model access of the RXD and TXD, and then enter the copy password in the main access control, access control two sets of red and green indicator light flashing at the same time, wait until the "drop" sound after the completion of data copy, (Note copy password please consult your dealer or distributor) ↵

7、 Warm prompt:

- * please do not to repair the machine.if any problem, please return to factory.
- * before installation on the wall, if you want to punch, please check wiring and line pipe carefully for unnecessary trouble, etc. When drilling or fixing clamp please use safety glasses.
- * It is without prior notice if instruction is likely to be different for product upgrades.