

# USER Manual for Fingerprint Lock

---

## Contents

### Part I Lock Installation

1.1 Lock Introduction-----	2
1.2 Installation Guide-----	3

### Part II Function Guide

2.1 Keypad Introduction-----	4
2.2 How to Enroll Admin-----	5
2.3 How to Change Admin Password-----	5
2.4 How to Enroll Fingerprint User-----	6
2.5 How to Delete Fingerprint User-----	6
2.6 How to Enroll Password User-----	7
2.7 How to Delete Password User-----	8
2.8 How to Enroll IC Card-----	9
2.9 How to Delete IC Card-----	9
2.10 Time and Date Setting-----	9
2.11 Voice Prompt Setting-----	10
2.12 Multi-verification Setting-----	10
2.13 Events Query-----	11
2.14 Factory Reset -----	11

### Part III Operation Guide

3.1 How to Lock -----	11
3.2 How to Unlock in Fingerprint-----	12
3.3 How to Unlock in Password-----	12
3.4 How to Unlock in IC Card-----	12
3.5 How to Unlock in Key-----	13
3.6 Emergency Power-----	13
3.7 Back Locking-----	13

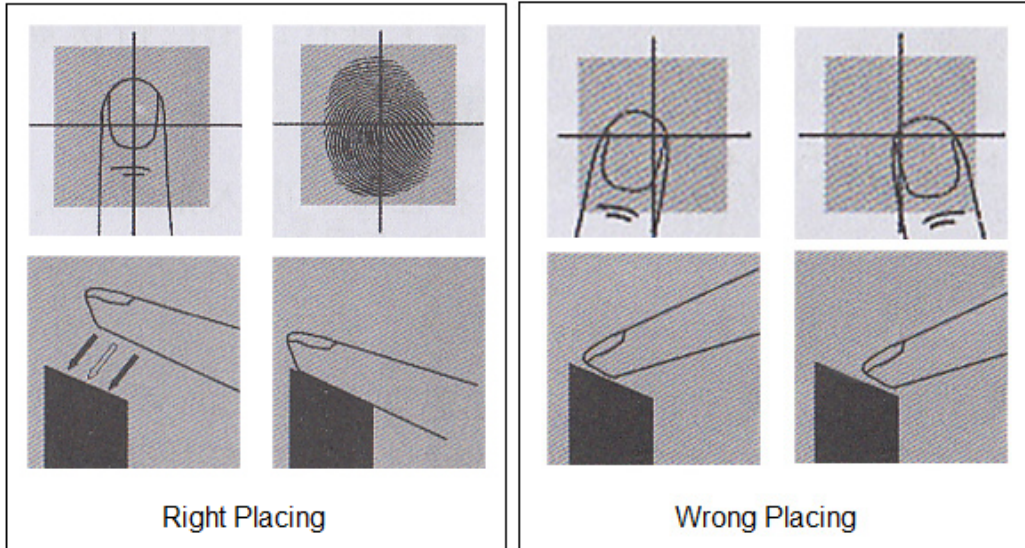
### Part IV Lock Information

4.1 Lock Parameters-----	14
--------------------------	----

# USER Manual for Fingerprint Lock

## How to Place Fingerprint Rightly

It's important to place fingerprint rightly on scanner for verifying and enrolling, that can improve unlocking efficiency, here please refer to following methods during usage.

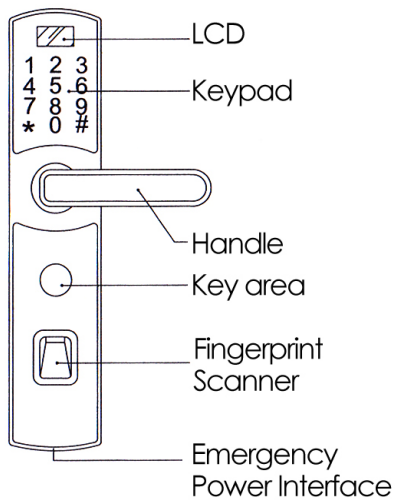


## Part I Lock Installation

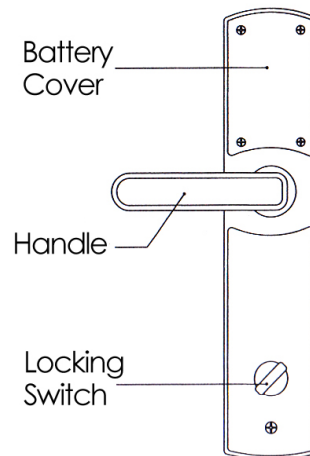
Before installing lock, it's helpful if we know following main parts of fingerprint lock and names of all components.

### 1.1 Lock Introduction

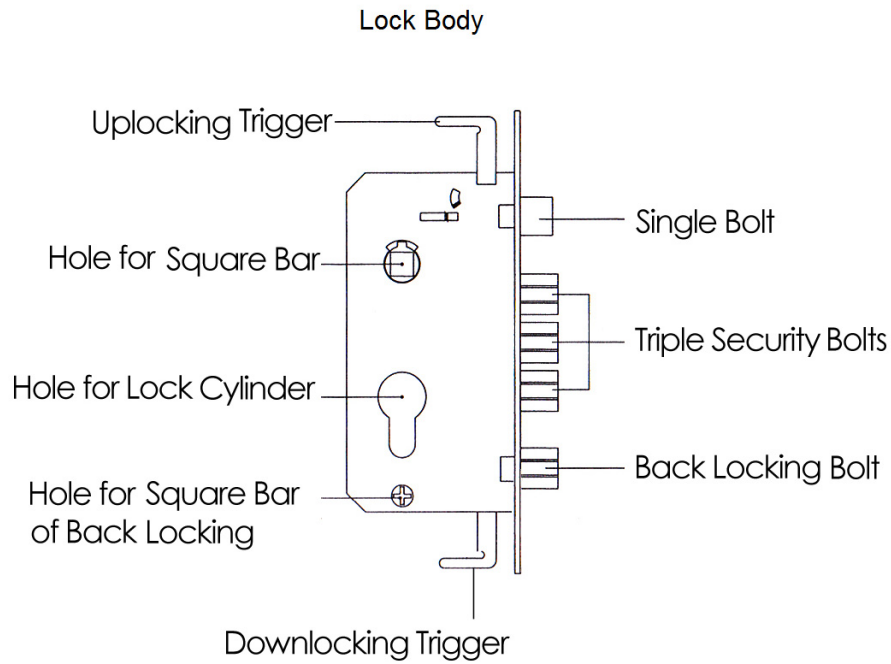
Face Plate



Back Plate



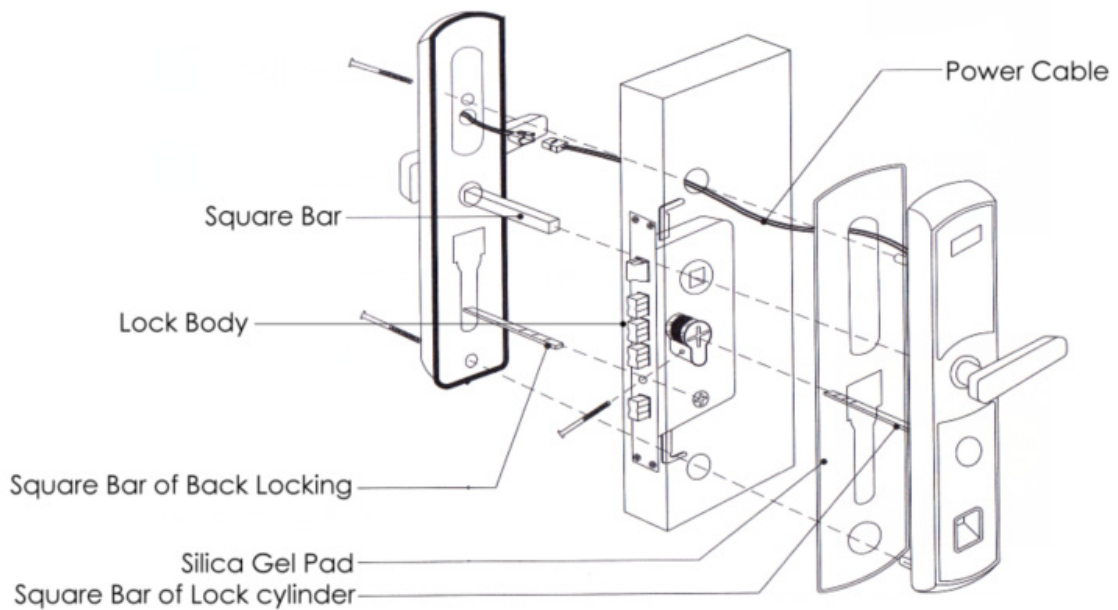
# USER Manual for Fingerprint Lock



## 1.2 Installation Guide

Before installing, please refer to Hole Size Drilling on Door to drill suitable holes, size should be right or else lock will be leaning, square bar stuck.

After holes are finished, please install lock body into the door, silica gel pad, square bar, lock and screws are subsequent to do. Please refer to following illustration.



# USER Manual for Fingerprint Lock

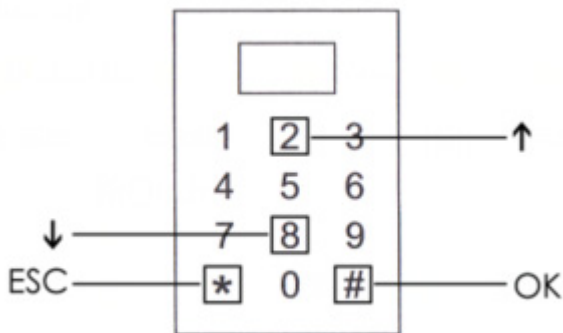
---

Notes:

- a. Up-locking and down-locking switch should be hooked firmly, please don't let them lose. If your door without up-locking and down-locking bolt, please ignore this point.
- b. Please make square bar's size right to door size, longer or shorter is not good. It's better to make it match the door's size.
- c. Please keep length of back-locking bolt and bolt of lock cylinder just reach to Lock Cylinder, shorter or longer are not good.
- d. Power cable is important to connect rightly.
- e. Please ensure all square bars connect rightly with lock body when installing face plate and back plate, avoid any stuck.
- f. Once installation is finished, please check if mechanical key can open freely or not, handle is good to unlock and lock or not, up-locking bolt and down-locking bolt are normal to stretch out and draw back? After all is OK, please install batteries to test other functions.
- g. Please make all testing under door opening, don't close door before all functions are OK.

## Part II Function Guide

### 2.1 Keypad Introduction

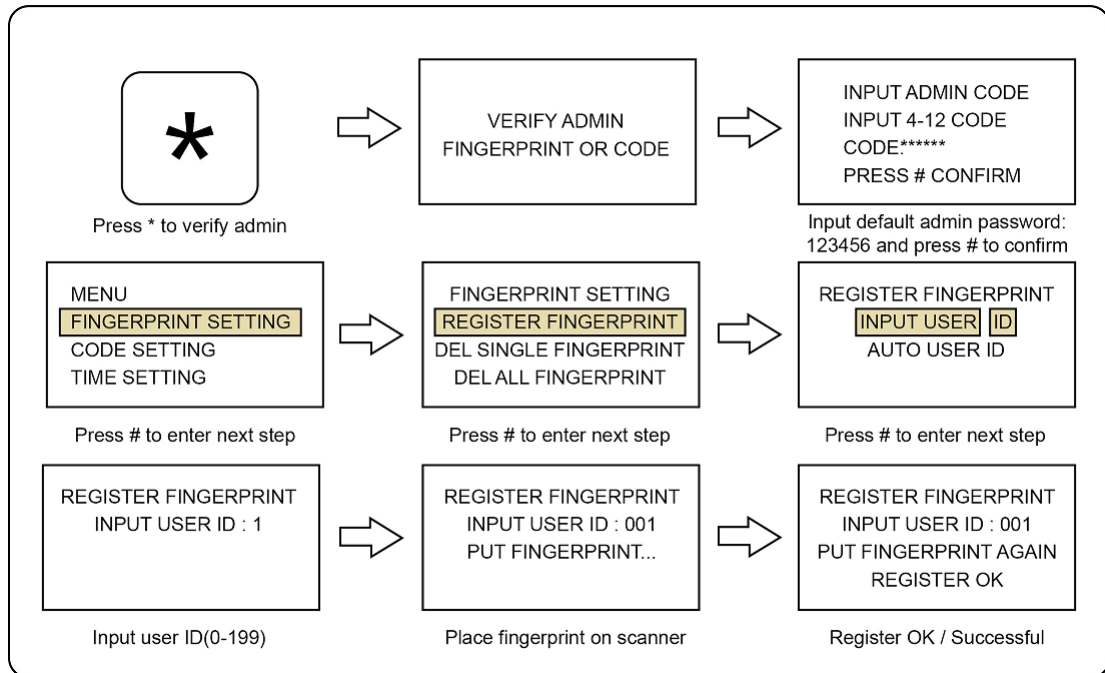


Notes:

- Touch lightly by finger to fingerprint scanner or digital area can activate keypad.
- 2 stand for scroll up, 8 for scroll down.
- \* stand for back/esc, # for next/confirm.
- Press \* directly, lock will verify admin, it's accessed into menu after verified successful.
- All fingerprints can unlock before no administrator existed.

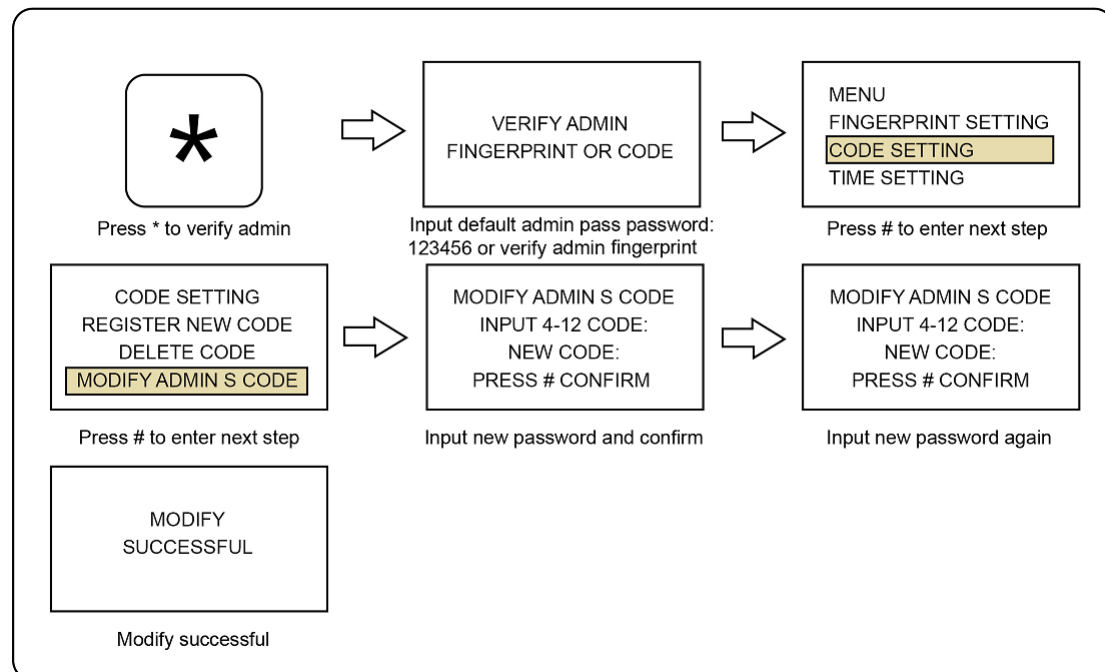
# USER Manual for Fingerprint Lock

## 2.2 How to Enroll Admin



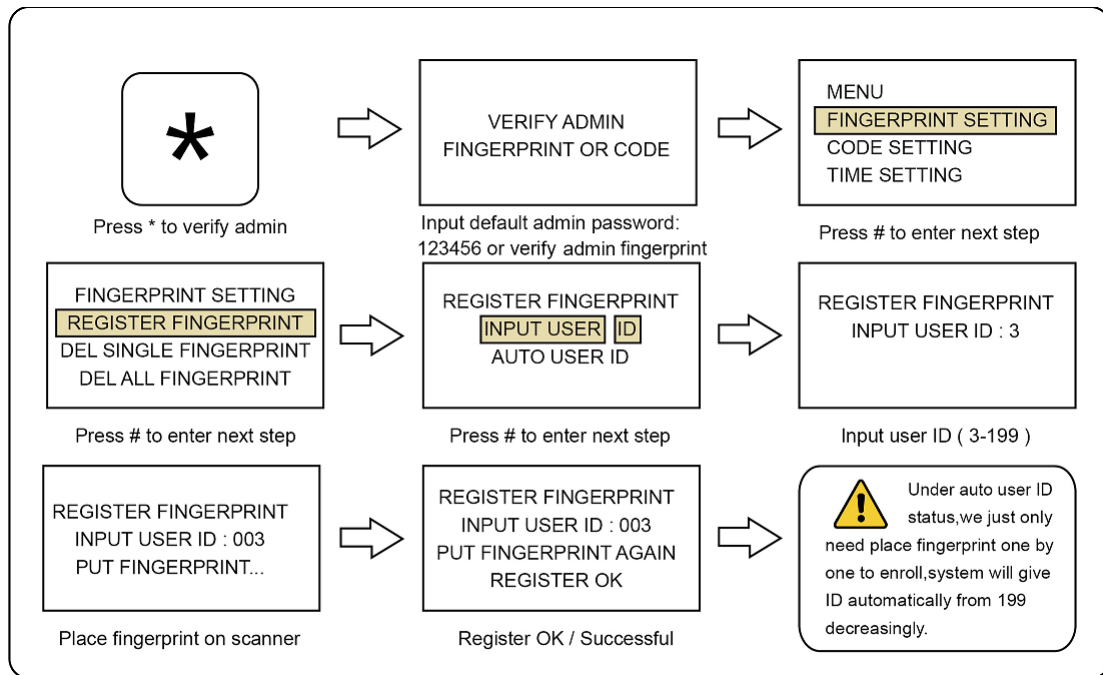
**Notes: the first and second fingerprint are admin, subsequent fingerprints are normal users.**

## 2.3 How to Change Admin Password

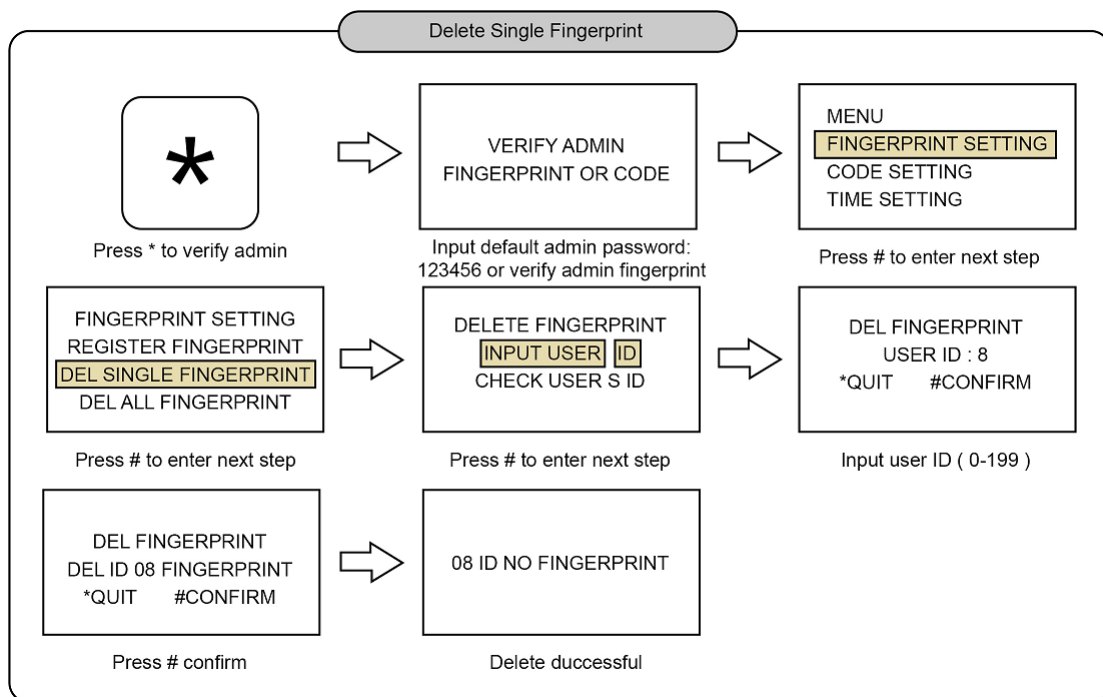


# USER Manual for Fingerprint Lock

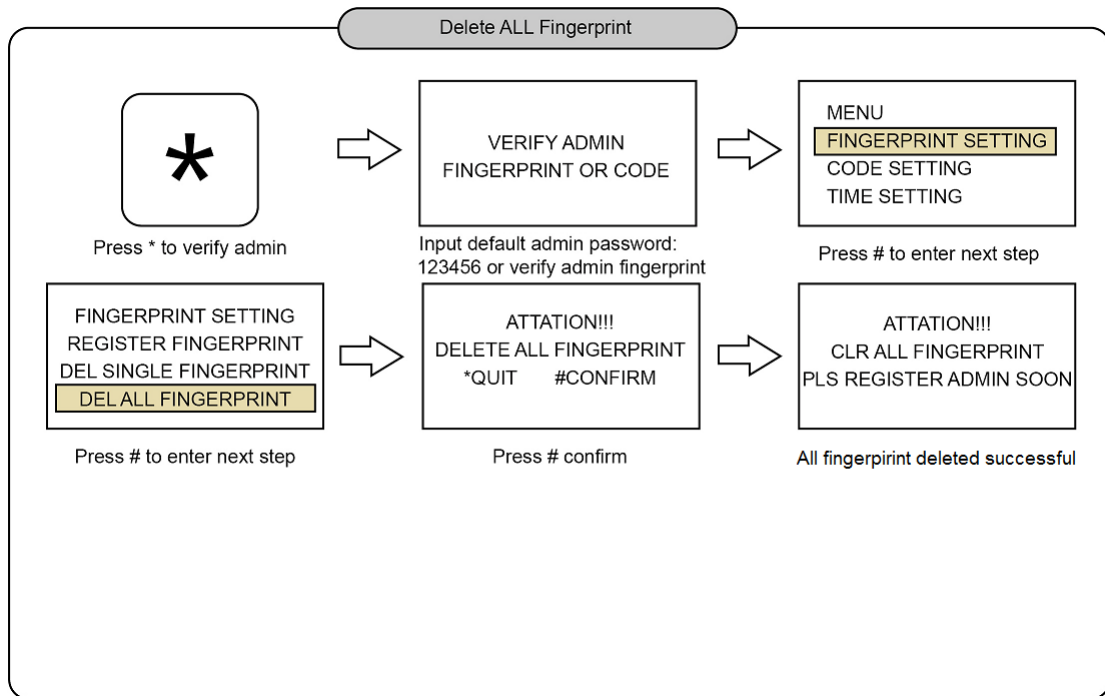
## 2.4 How to Enroll Fingerprint User



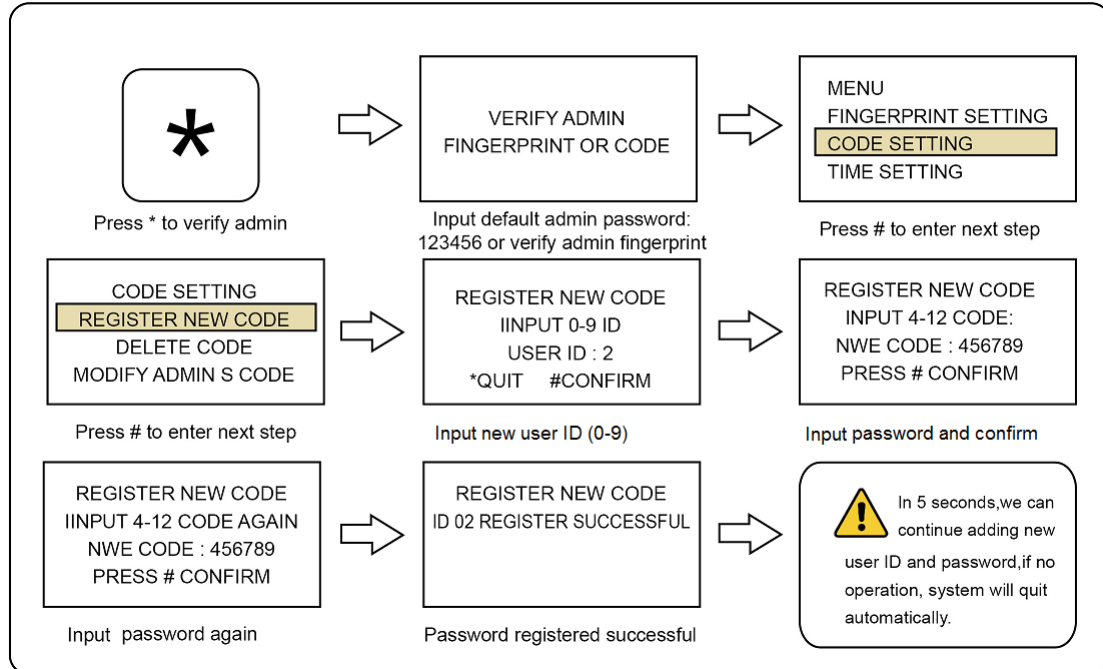
## 2.5 How to Delete Fingerprint User



# USER Manual for Fingerprint Lock

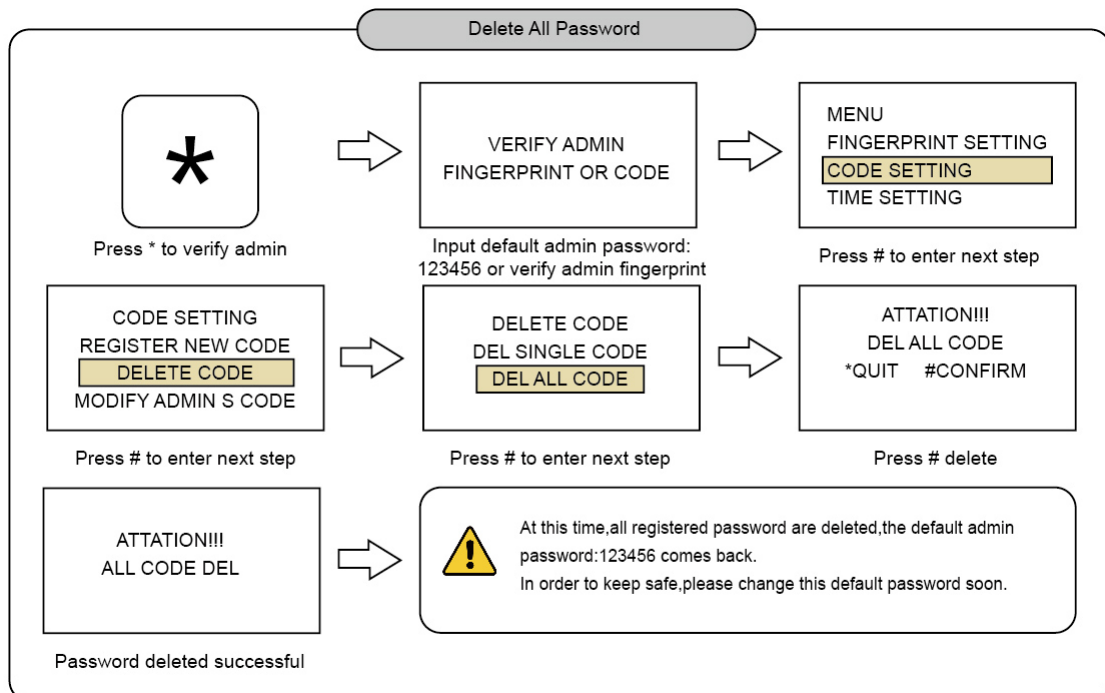
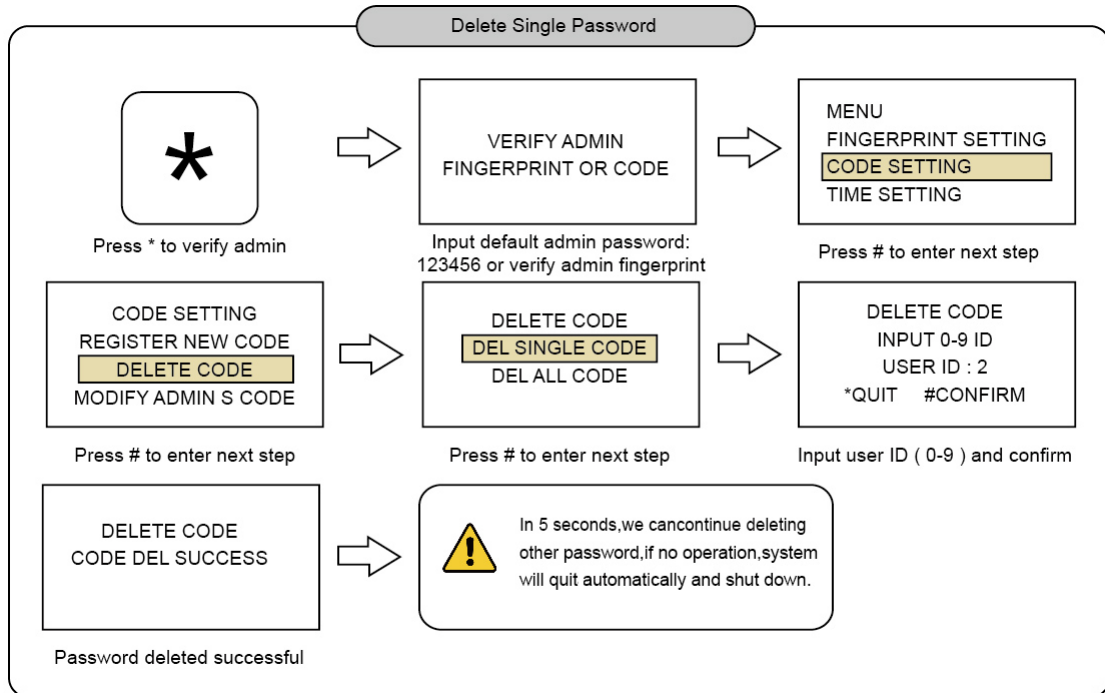


## 2.6 How to Enroll Password User



# USER Manual for Fingerprint Lock

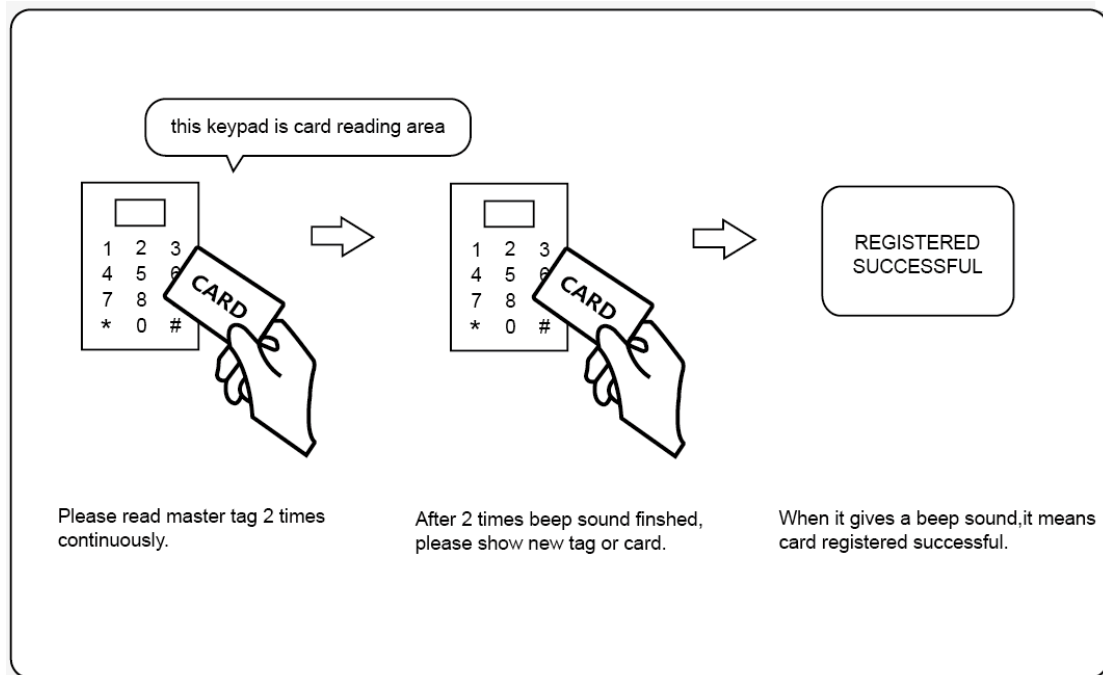
## 2.7 How to Delete Password User



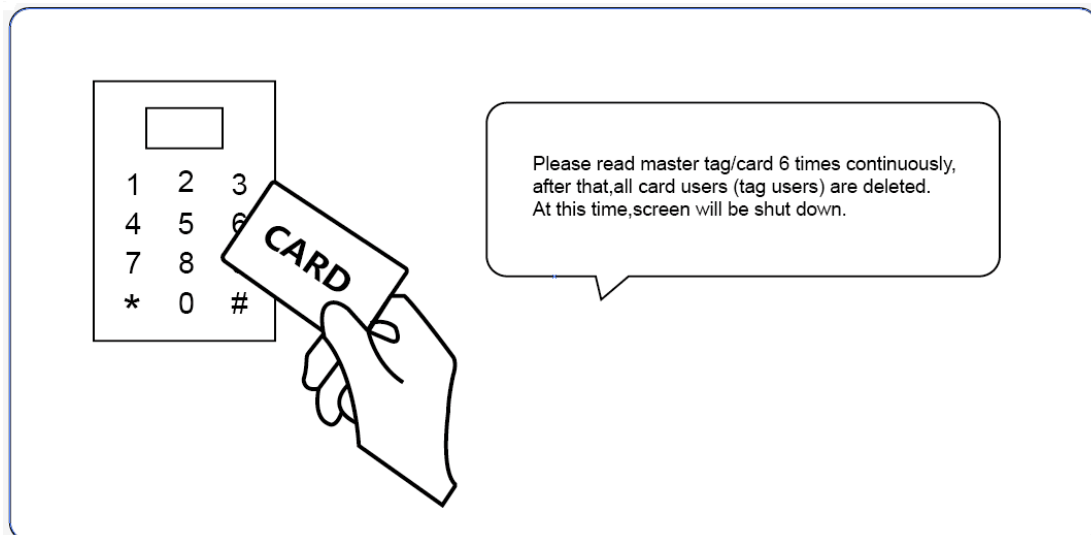


# USER Manual for Fingerprint Lock

## 2.8 How to Enroll IC Card

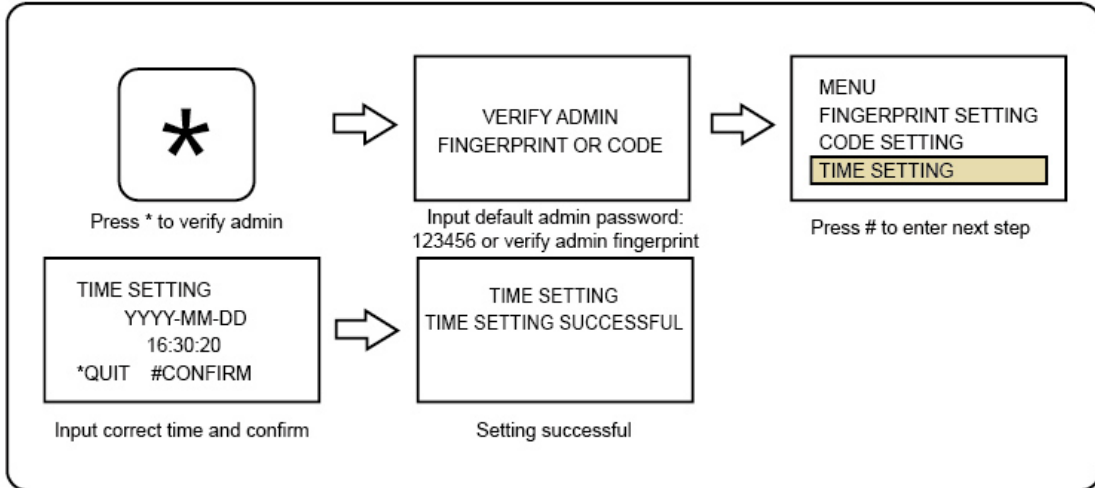


## 2.9 How to Delete IC Card

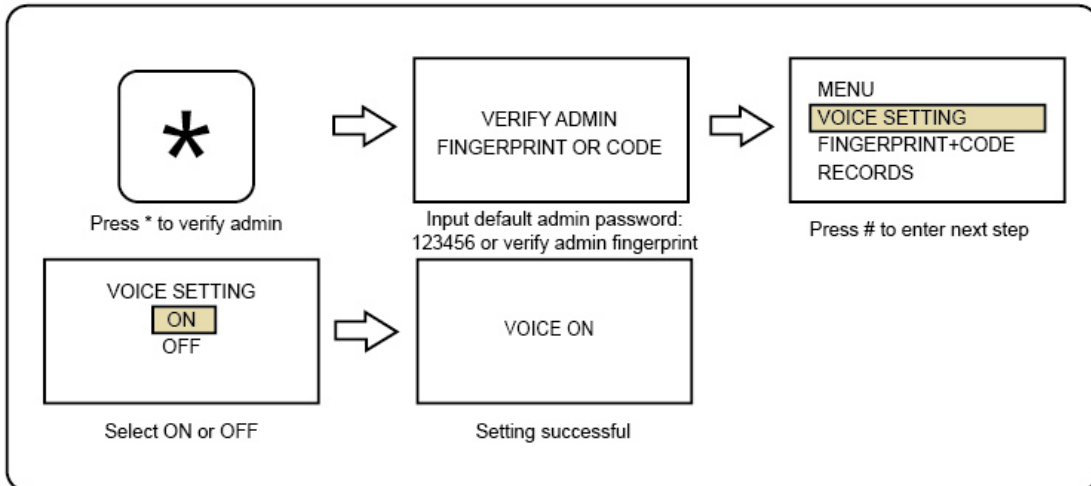


## 2.10 Time and Date Setting

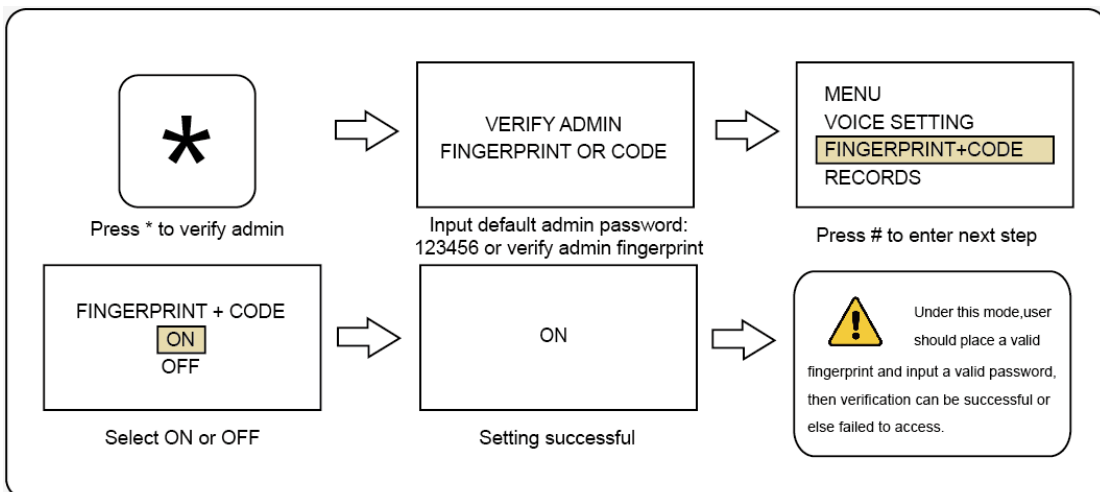
# USER Manual for Fingerprint Lock



## 2.11 Voice Prompt Setting

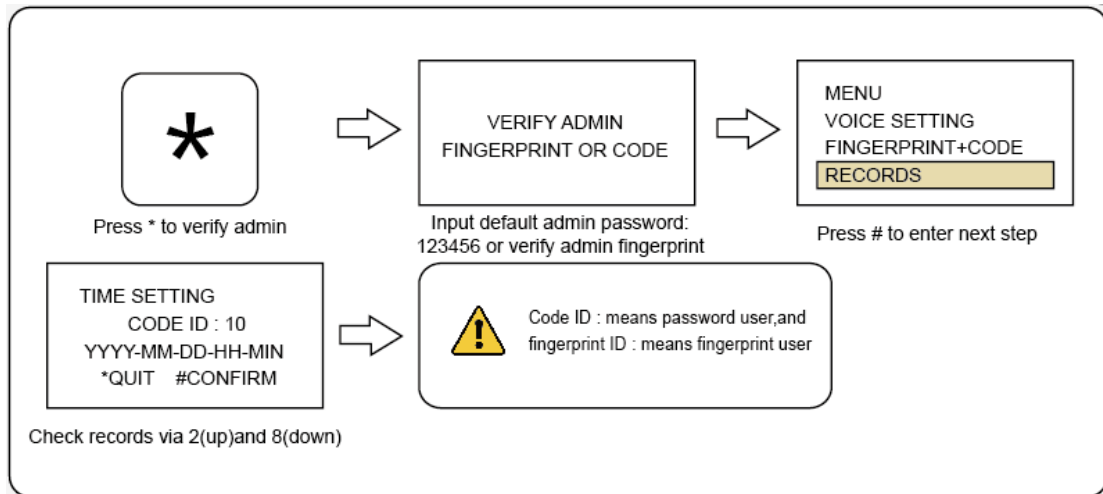


## 2.12 Multi-verification Setting



# USER Manual for Fingerprint Lock

## 2.13 Events Query



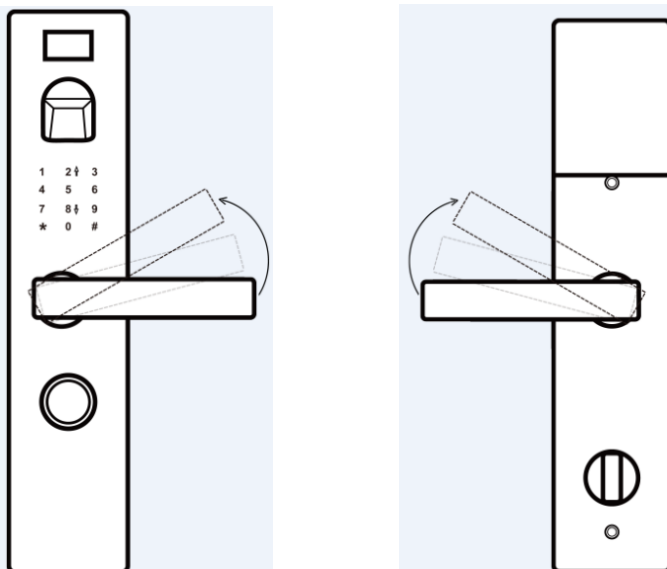
## 2.14 Factory Reset

Please press button “RESET” on main-board of lock, it will sound “system initialization is successfully”, at this time, all valid fingerprint and password are deleted, any fingerprint can open the door, system admin password comes back to default 123456, we’d better to change it and enroll new fingerprint admin.

## Part III Operation Guide

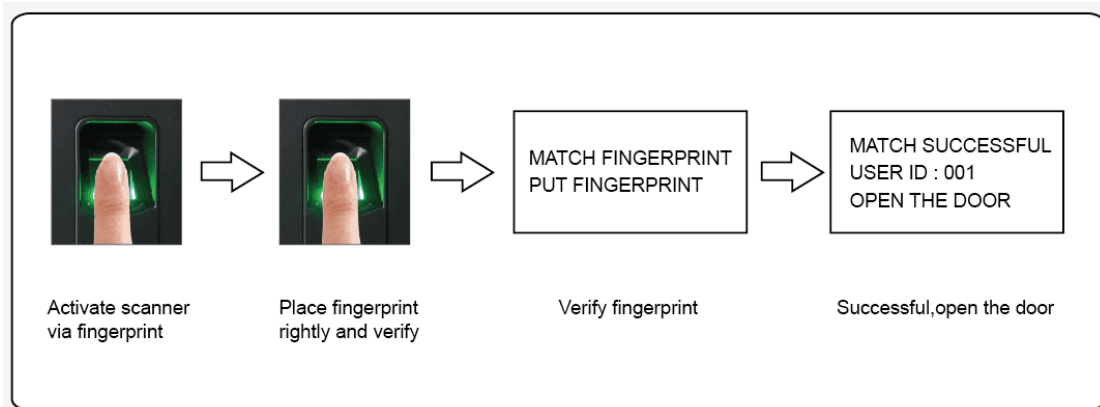
### 3.1 How to Lock

If you want to lock the door, please keep it closing and lift the lock’s handle up as below:

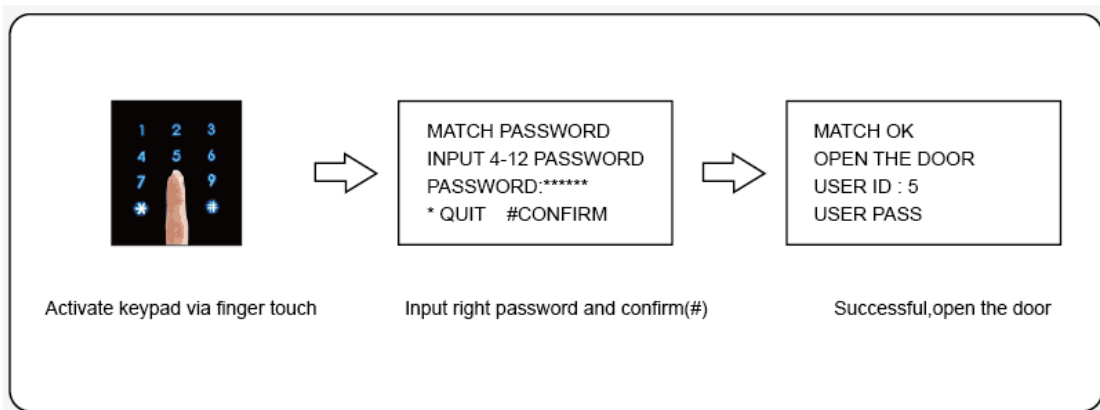


# USER Manual for Fingerprint Lock

## 3.2 How to Unlock in Fingerprint

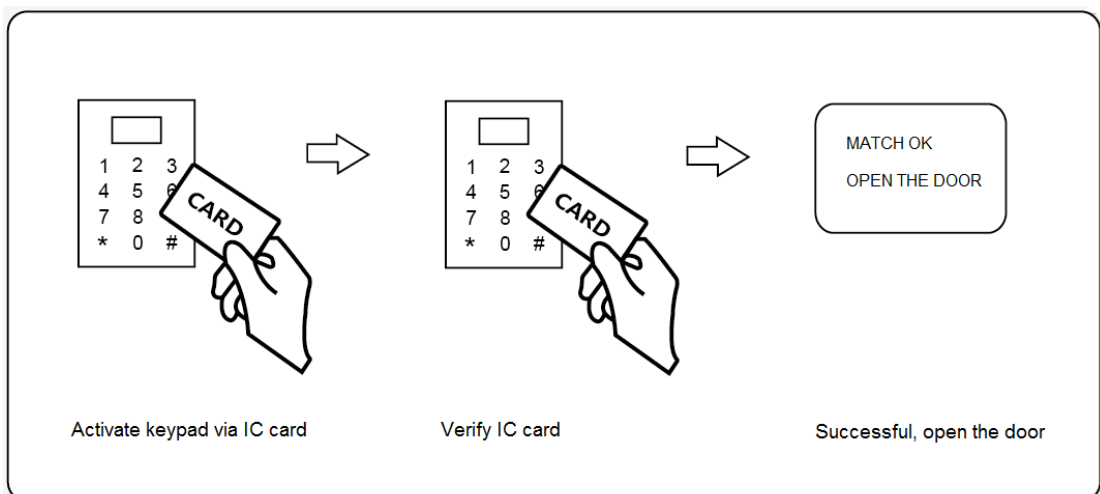


## 3.3 How to Unlock in Password



**Note: If someone stands near you, we can input password in “any digit + correct password + any digit” to open door. This way can ensure your password safe!**

## 3.4 How to Unlock in IC Card



# USER Manual for Fingerprint Lock

---

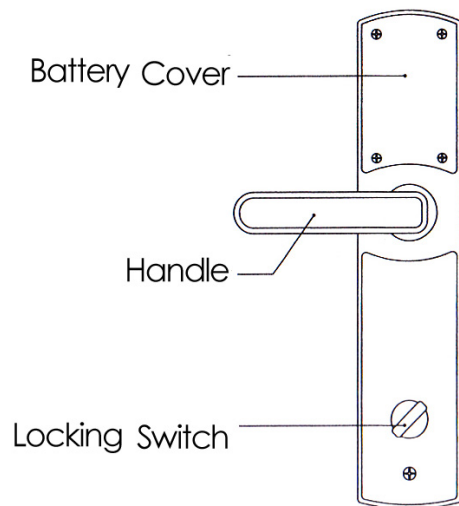
## 3.5 How to Unlock in Key

- Take off the cover on key area
- Insert mechanical key to unlock
- Press handle down to open door

## 3.6 Emergency Power

When battery power is off, lock screen and fingerprint will not be activated, we can use 9V battery to connect with emergency power interface under bottom of lock to open door.

## 3.7 Back Locking



When we turn on locking switch in room, all users out-door can't enter room, except turning off the locking switch in room

# USER Manual for Fingerprint Lock

---

## Part IV Lock Information

### 4.1 Lock Parameters

1	Locking Method:	Lift Handle Up
2	Unlocking Method:	Fingerprint, Password, Password + Fingerprint, Mechanical key
3	Fingerprint Sensor:	Optics (capacitive is optional )
4	Fingerprint Pixel:	500DPI
5	Fingerprint Capacity:	200 Templates
6	Password capacity:	10 groups
7	Transaction capacity:	100 events
8	Verification speed:	< 1 s
9	FAR:	<0.0001%
10	FRR:	<0.1%
11	Power Supply Voltage:	4.5V-DC6V
12	Power Alarming :	<4.5V
13	Current Consumption:	Peak Current <200mA ; Quiescent Current <40mA
14	Power Supply:	4 PCS 1.5V AA Alkaline Batteries