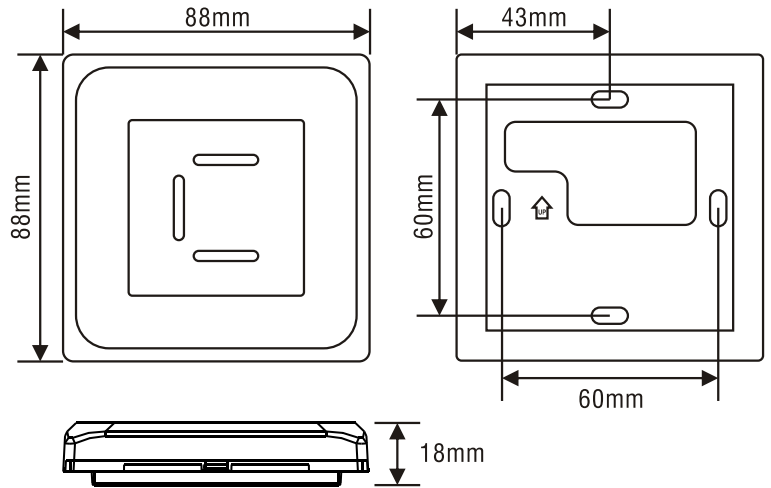


A. Package Content

- Reader, Installation manual, Screw x 2, Anchor x 2

■ Specification

- Dimensions : 88 x 88 x 18 mm
 - Voltage range : DC 9~15V
 - Current Max. : 150mA
 - Wiegand range : up to 100M
 - Working temperature : - 20°C ~ 70°C
- Recommended: shielding cables, linear DC power supply



■ Notice :

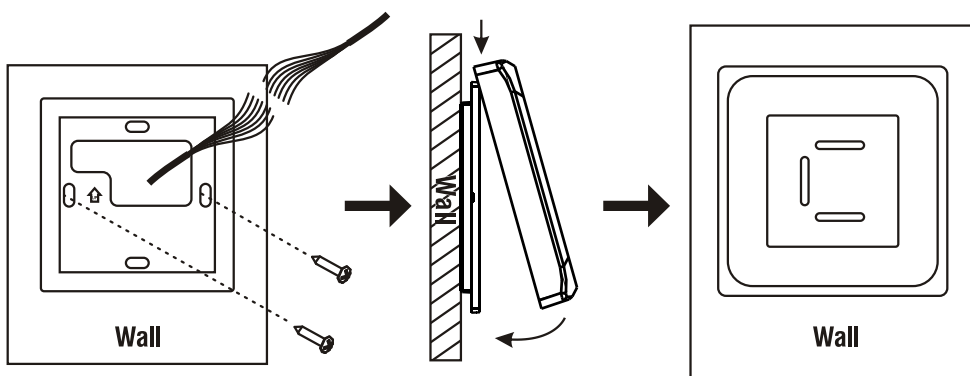
- Do not connect other cable to power except the power cable.
- Do not connect any unverified power supply to the unit, it might cause system unstable and damages hardware.
- Metal object around device would interfere with reading performance (keep at least 3 cm away from metal object)
- Interference between devices depends on environment:

If install devices side by side, recommend keep at least 50 cm in between devices.

If devices sharing same wall, recommend avoid same level back and front installation.

(Keep devices horizontally or vertically away from each other about 30 ~ 50 cm. Recommend power on devices and test distance first)

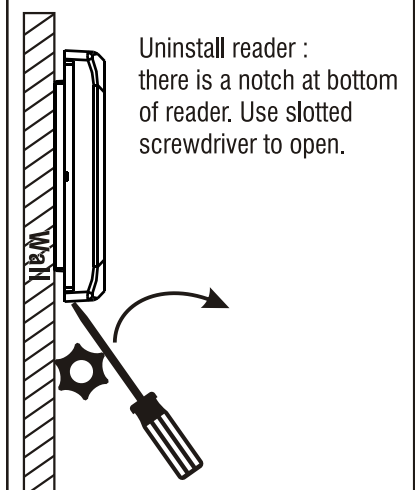
B. Installation guide



Install back case on the wall and connect cable

Install reader : clip top side first then press down

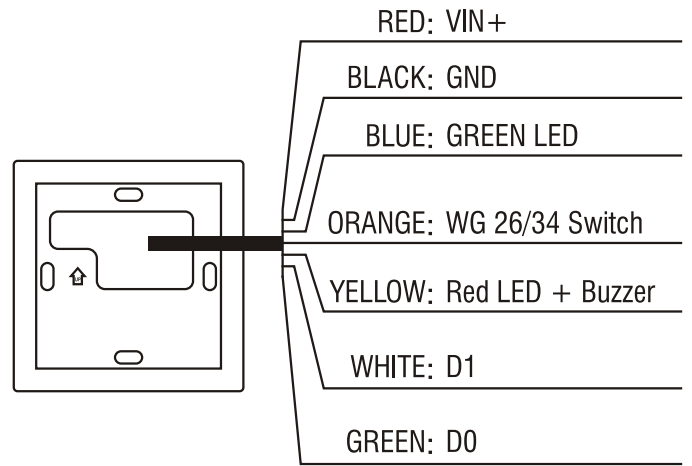
Disassemble guide



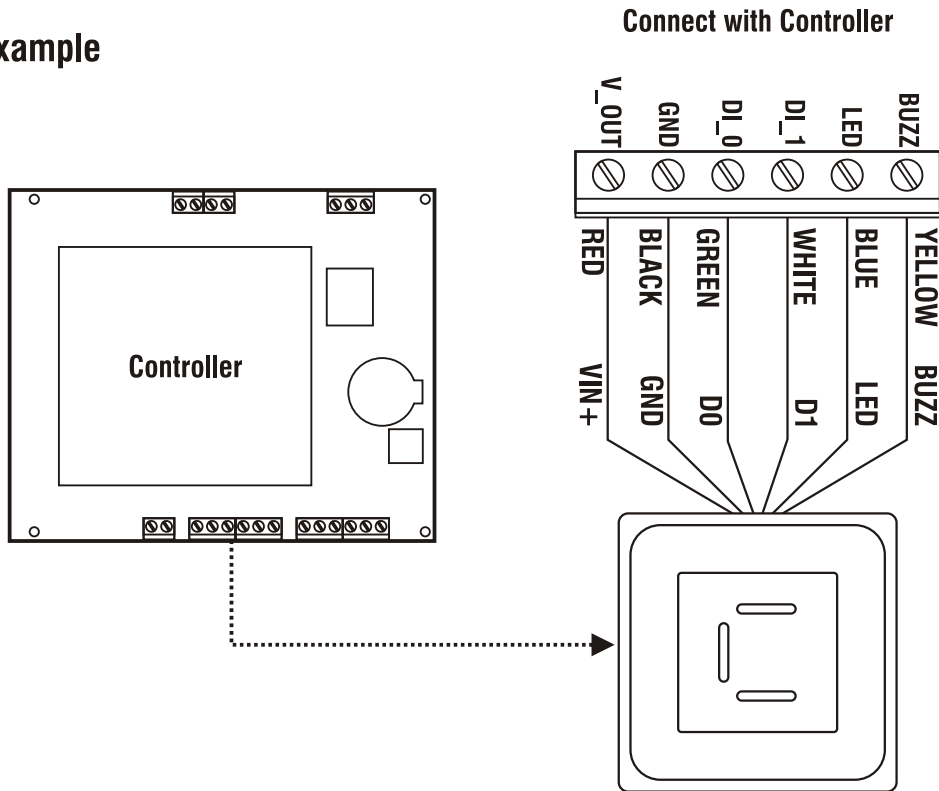
Uninstall reader : there is a notch at bottom of reader. Use slotted screwdriver to open.

C. Cable Color

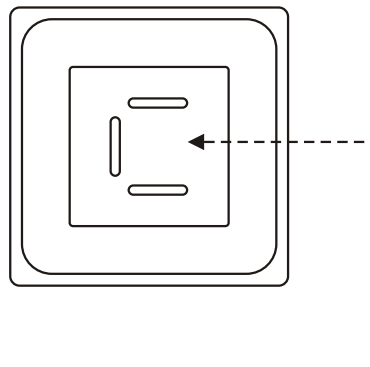
1	RED	VIN+ (Power Positive)	DC 9~15V
2	BLACK	GND (Power Negative)	
3	BLUE	Green LED Control, Low Potential	
4	YELLOW	Red LED + Buzzer Control, Low Potential	
5	ORANGE	WG 26/34 Switch (Set It Before Power On) Default is WG 34, Connect GND is WG 26	
6	WHITE	DATA 1	Wiegand Cable
7	GREEN	DATA 0	



D. Connection Example



E. Buzzer & LED status guide



LED Control Electric Potential	Buzzer Control Electric Potential	LED Light	Buzzer
High	High	Blue	No beep
Low	High	Green	No beep
High	Low	Red	Beep
Low	Low	Green + Red	Beep