

GPS Vehicle Tracker ON-CAV1-2G/3G User Manual

Content

I . Preface.....	1
II . Attentions.....	2
III Hardware description.....	3
IV. Main function.....	3
V . Set up.....	4
VI. Installation diagram.....	7
VII. Installation.....	7
VIII. Application.....	9
IX.Specification.....	9
X.Guarantee.....	10

Attention

1. Make sure to read this manual carefully before using this product.
2. Please insert the SIM card before installing, and make sure the SIM card has no password, otherwise the tracker will not work normally.
3. Please make sure that all the cables of the tracker has been connected rightly, and then connect the tracker to host power. Must not install or take down the tracker when it is power on. If you found any troubles or omissions about the connections of cables, please cut off power first, otherwise you will easily damage the tracker.
4. The tracker works in wireless communications, so please cut off the host power before your vehicles entering fuel depot and dangerous material place.
5. The tracker's work voltage is 10V-36V. Please use the tracker in the scope of work voltage.
6. The host of GPS tracker is a low-power wireless transmitter and receiver. It receives and sends radio frequency signal when it is working.
7. To avoid electromagnetic interference or uncompatible configuration, please stop using your tracker in the noticed place.
8. Open door alarm function : setopendooralarm cancelopendooralarm
9. Init to default setting: init123456
10. Get the location Google link by message : google123456

Vehicle Tracker

◆Hardware Description

1. Host Tracker



2.



2. Start up

The indicator in the device can turn into red and blue color. Insert the SIM card and install the tracker in the car, the red indicator is on. In 10 seconds, the device will begin to work and search the GSM/CDMA signals as well as the GPS signals. When the device is communicating, the red indicator blinks very fast. The blue indicator will keep flashing every 2 seconds when the GPS module is in standby mode. When the blue indicator is not lighting, the GPS module is working but hasn't fixed position, after it has fixed position, the blue indicator is lighting.

◆ Main functions

1. Positioning and Tracking: Through the on-line Positioning Platform or the cell phone to locates at times, and get the working status. You can choose the Positioning Platform by yourself.
2. Triggering Emergency Alarm: When there is a emergency happened on the vehicle, you can put on the button and the installed device will send out alarm to the authorized numbers.
3. Remote controlling oil and circuit: you can control the oil and circuit via the device by SMS in anywhere and anytime.
4. Remote Monitoring: In anywhere and anytime, call the phone number in the device, when it connects, you can monitor the sound around 5 meter.

5. Movement Alert: Send SMS to the device to start the movement alert function. When the vehicle is moving, the device will send the movement alert to all authorized numbers.

6. Overspeed Alert: Send SMS to the device to start the movement alert function. When the vehicle is overspeed, the device will send the overspeed alert to all authorized numbers.

7. Geo-fence: Set up a geo-fence for the device to restrict its movements within a district. The device will send the message to all authorized numbers when it breaches the district.

8. Restart the device: send SMS to resume the default of device.

9. Auto Track: You can set up auto track by SMS or on-line positioning platform.

10. Mileage statistics; ACC checking; cutting off power and alarm.

11. Compatible with the original anti-theft alarm: It will send SMS alarm after the original anti-theft alarm warning.

* Modify the IP and Port of Communication Protocol for different on-line positioning platform

◆Set up

1. Set administrator

Send SMS **“setadmin123456”** to the device, it will make you as administrator number. Delete the administrator number from the administrator cell phone, it will be back to no administrator.

2. Add the number

If there is an administrator, only the administrator can add number to the tracker . Send SMS **“admin123456 13612345678”**. "admin" as instruction, "123456" as password, "13612345678" as added number.

3. Delete the number

If there is an administrator, the administrator can delete number to the tracker . Send SMS **“noadmin123456 13612345678”**. "noadmin" as instruction, "123456" as password, "13612345678" as deleted number.

If the administrator deletes his own number, the tracker is back to the no administrator, and the record numbers deleted automatically.

4. Change the Password

Send SMS: **“password + old password + space + new password”** to change the password. For example: Send SMS **“Password123456 168168”**. "password" as

instructions, "123456" as old password, "168168" as new password. Password must be six digits. Tracker's initial password is 123456. If there is no administrator number, all number can change the password. If there is already an administrator number, only the authorized number can change the password.

5. Control Oil

Send SMS **"stopoil+password"** to control oil.

For example send SMS: stopoil123456

"stopoil" as instructions, "123456" as password.

To supply the oil again, send SMS **"supplyoil+password"** to the device.

For example, send SMS "Supplyoil123456" to the tracker. "Supplyoil" as instruction, "123456" as the password.

6. Control Circuit

Send SMS **"stopelec+password"** to control circuit.

For example send SMS: "stopelec123456".

"stopoil" as instructions, "123456" as the password.

To supply the circuit again, send SMS **"supplyelec+password"** to the device.

For example, send SMS "Supplyelec123456" to the tracker. "Supplyelec" as instruction, "123456" as password.

7. Monitor mode

There are three mode for monitor.

- 1) All Monitor Mode: Send SMS **"AllMonitor"** to the device, the device will return to this mode. In this mode, any number can monitor this device.
- 2) Restrict Monitor Mode: Send SMS **"RestrictMonitor"** to the device, the device will return to this mode. In this mode, authorized number can monitor this device.
- 3) Close Monitor Mode: Send SMS **"CloseMonitor"** to the device, the device will return to this mode. In this mode, all number can't monitor this device.

8. Movement alert

Set up: The user can send SMS **"Move + password"** to the device, then the device will reply "move ok!". In case of such a movement, it will send SMS "Move" along with a Geo-info to the number.

For example, send SMS "Move123456" to the device. "Move" as instructions, "123456" as password.

Cancel: Send SMS “nomove+password” to deactivate the movement alert.

9. Overspeed alert

Set up: Send SMS “**speed+password+space+080**” to the device (support the speed is 80km/h).

For example, send SMS “speed123456 080”. "speed" as instructions, "80" as limit speed, “123456”as password.

Cancel: Send SMS “nospeed+password” to deactivate the overspeed alert.

10. Cell phone positoning

Send SMS “**position**” to the device, then the device will send SMS with real-time longitude and latitude to the cell phone.

11. Tracking with a online positioning platform

Add the number on the online positioning platform for tracking. Adding to the special platform, send SMS “**number+tracker number**” to the tracker.

for example “number13632782450”.

12. Geo-fence

Set up a geo-fence for the unit to restrict its movements within a district. The unit will send the message to the authorized numbers when it breaches the district.

Set up: The user can Send SMS “**stockade + password + space + MinLatitude, MinLongitude; MaxLatitude, MaxLongitude**” to unit to set the restricted district. In case of breach, it will send SMS “stockade! + geo-info” to the authorized numbers.

For example send SMS “stockade123456 22.548123, 114.081234; 22.549123, 114.082234” to the unit.

Remark: The first latitude & longitude is coordinate of min of the Geo-fence, while the second latitude & longitude is the coordinate of the max. It will alarm one time in each setting.

Cancel: Send SMS “**nostockade + password**” to deactivate this function.

This function will be out of effect after the unit moves outside the district.

13 . Restart the tracker.

Send SMS “**reboot+password**” to the tracker. For example“reboot123456”.The tracker will be restarted.

14.Auto track

Report a Geo-info at 30 seconds intervals to the online position platform for 5 times: Send SMS “**at30sum5**” to the device. The max intervals is 65535 seconds. You can send

“at30sum0” for heaps of times to platform.

Send **“noat123456”** to the tracker, the tracker will stop transmitting the data to the platform.

If the platform support this function, it can be operated on the platform straightly.

15. Resume the initial password

If you forget your password, you can resume the initial password 123456.

Send **“resumepassword”** to the tracker, the tracker will resume the initial password. If there is no administrator number, all number can resume initial password. If there is already an administrator number, only the administrator number can resume initial password.

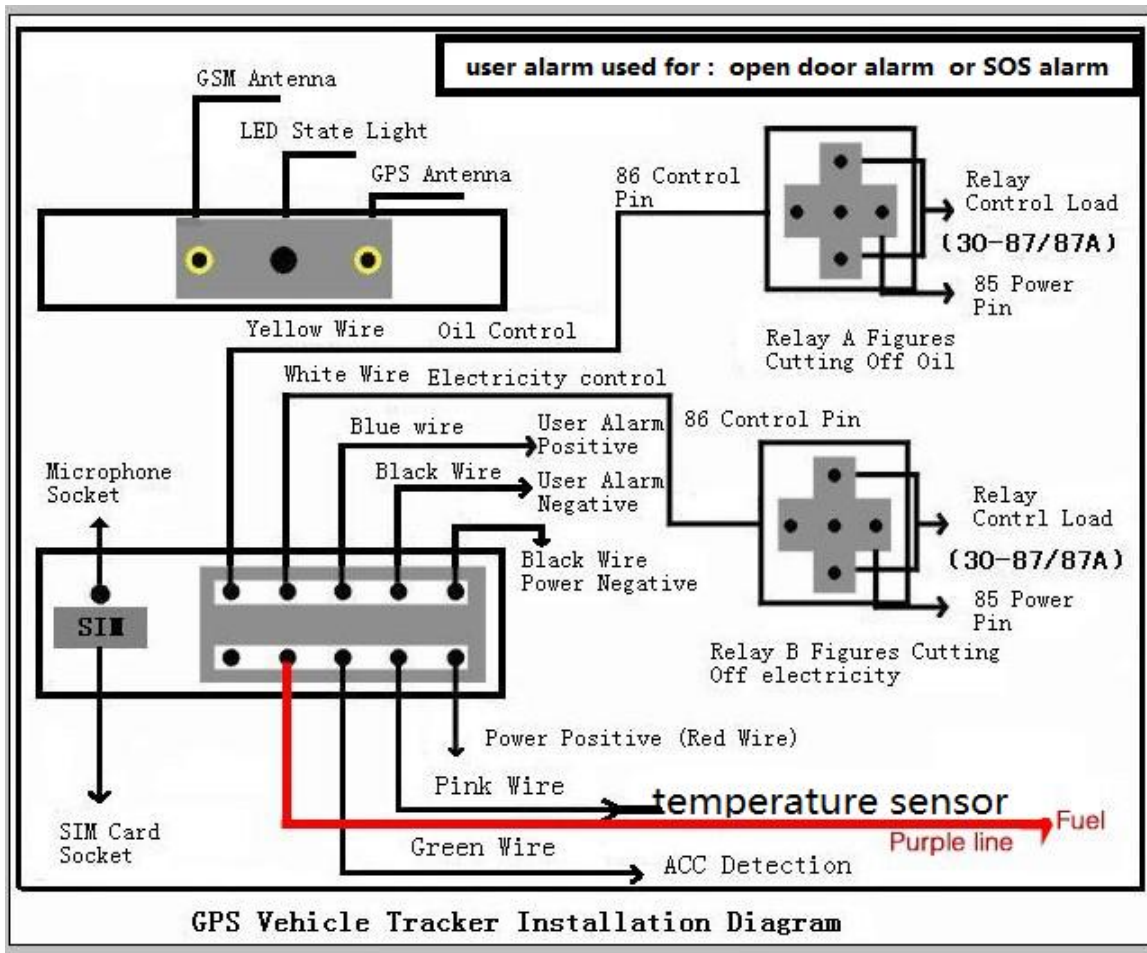
16. Modify IP address and port

The IP address and port of the tracker can be modified and transferred data to other platform. Send SMS **“IP + ip address + port + port value”** to the device. If the platform's IP address and port is 123.67.87.9 and 344, send SMS **“ip 123.67.87.9port344”** to the tracker.

17. Set APN

In order to send GPS data to IP address, you still must set mobile network Access Point Name (APN). If you don't know the APN, you can consult local network service supplier. The format of set APN is **“apn + password +space + APN”**. For example you send SMS **“apn123456 cmnet”** to the device. The device will reply SMS **“Set APN ok.”**

◆ Installation diagram of The Tracker

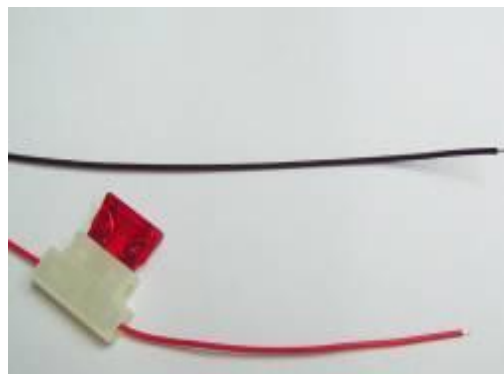


◆GPS Vehicle Tracker Installation

ON-CAV1 tracker should be installed by technical professional of local service centre. Without permission, the user can't repair and move the tracker randomly. If users do, any unfortunated damage should be compensated by himself.

Installation steps (caution: the following installation should under no power, otherwise will be dangerous)

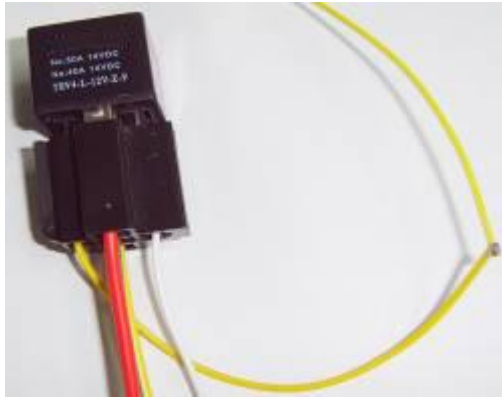
1. Power supply line: The red wire connects 12V“+”;Black wire connects to 12V“-”



2. Wire for cutting off oil of the tracker

Yellow wire connects the relay pin 86; 85 pin connect to 12 V DC , 87 pin and 30 pin in series power supply fuel. Caution: Wrong connection of yellow wire will damage the

tracker.



3. Wire for cutting off circuit of the tracker

White wire connects relay pin 86; 85 pin to 12 V DC, 87 pin and 30 pin are in series power supply circuits. Caution: Wrong connection of yellow wire will damage the tracker.



4. Emergency triggering alarm

The blue wire connects the positive of the alarm button, and the black wire connects the negative of the alarm button.



◆Application

1. Global positioning
2. Real-time monitoring
3. Vehicle locating
4. Timing tracking
5. Cutting off power and circuit by remote control

6. Vehicle rental / Fleet management etc

◆Specs.

Content	Specs.
Dim.	87 * 57 * 25 (mm)
Weight	0.459kg
Network	GSM/GPRS
Band	850/900/1800/1900MHz & 3G bands
GPS chip	Ublox-7
GPS sensitivity	-159dBm
GPS accuracy	5 m
Time To First Fix	Reacquisition 0.1s Cold status 45s Warm status 35s Hot status 1s
Work Voltage	DC 9V—30V
Battery	Chargeable changeable 3.7V / 1.2Ah Li-ion battery
Standby work current	< 30mA
Storage Temp.	-40°C to +85°C
Operation Temp.	-20°C to +70°C
Humidity	5%--95% non-condensing

Please preserve
this card for free
repair

Guarantee

User File

User name		Sex		Age	
Address					
Telephone				Zip	
Purchasing address					
Retail price			Odd Numbers		

Commodity name and specification		Model No.	
Dealer signature		User Signature	

Guarantee Item

1. 2 months upon date of purchase, if there is a function problem, we should offer the same item subject to goods and packing maintain perfect.

2. 1 year upon date of purchase, we will guarantee to keep the goods in repair. (not including fittings)

3. Guarantee service is subject to normal use.

4. All damage by man-made (tear open the housing, tear off the sticker, abnormal use), or losing this card, will not guarantee.